



# Model GCS Gym Command System II

## Base Control Unit Operator Manual

Gym Command II System . . . a *KEYLESS* programmable operating system for gyms

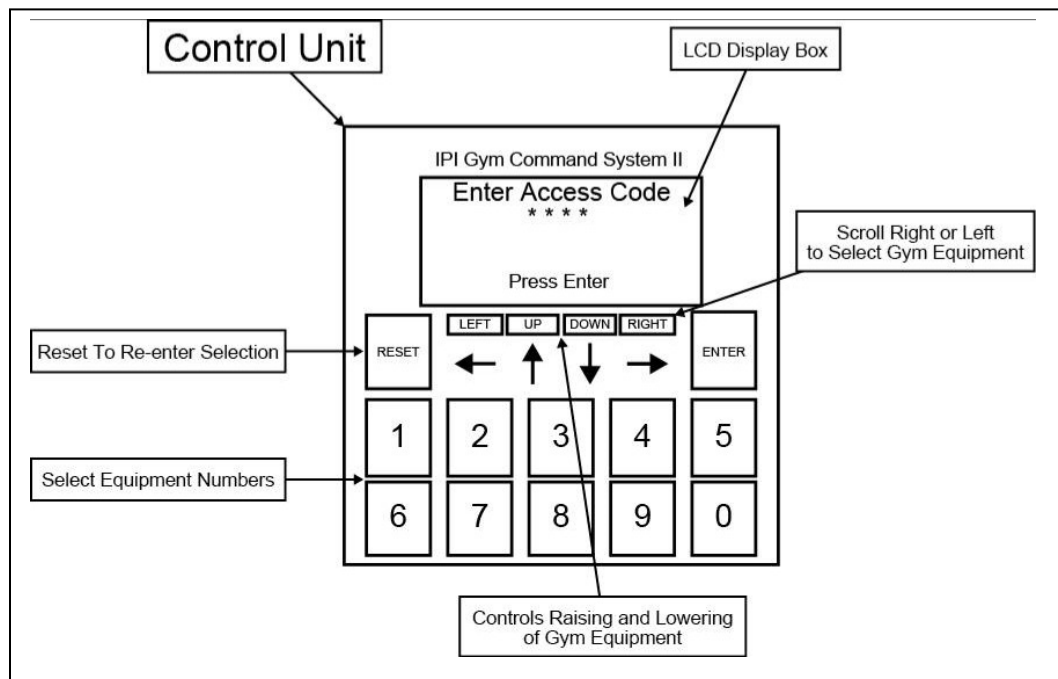
The Gym Command System II consists of a Base Command Unit and a remote relay box. The system is customized to the customer's specifications. It can be programmed for any combination of gym components.

The Base Command Unit is a totally programmable controller with a menu driven graphics display. The unit mounts in a NEMA 1 6" x 6" x 4" enclosure (by others). Multiple Base Command units can be used.

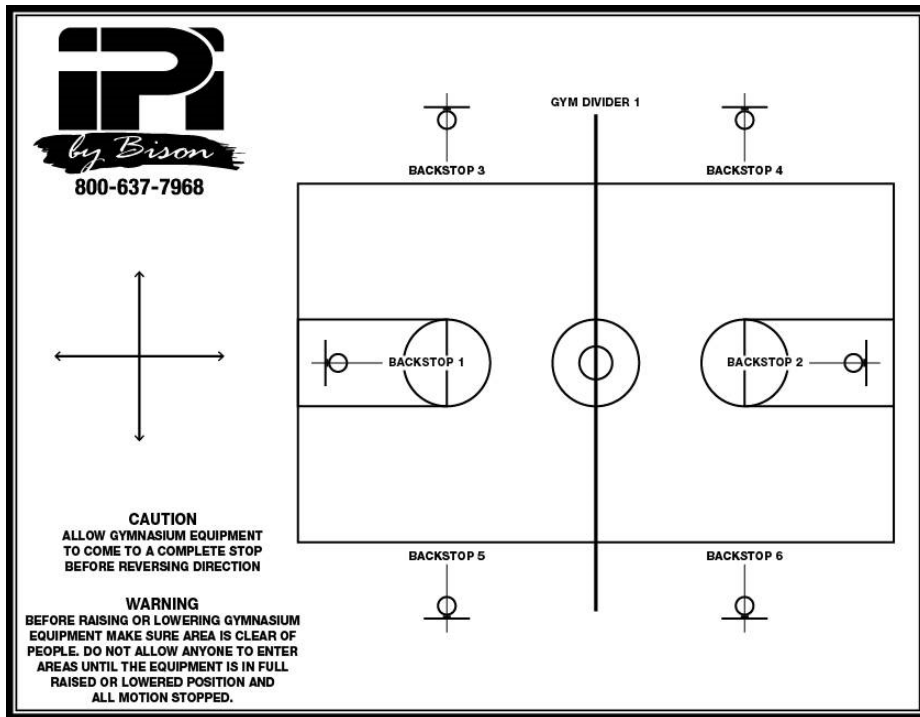
By adding relay boxes the system can control up to 256 combinations of gym components including basketball backstops, height adjusters, gym curtains and batting cages. Use the SCROLL LEFT and SCROLL RIGHT function keys to review the gym component categories. The code number for each item can be entered and operated in its specific category.

The system has a four digit access code. Two access codes are programmed at the factory. The system goes into a sleep mode when not in use after 30 seconds. A system back up battery prevents loss of the functions stored.

### Base Control Unit Display and Keypad

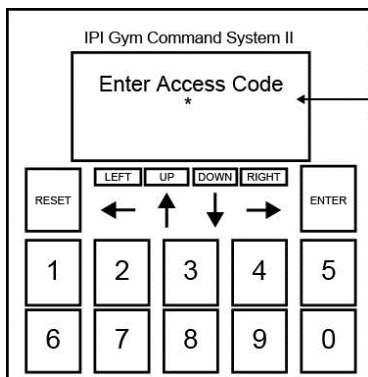


# GCS Equipment Legend

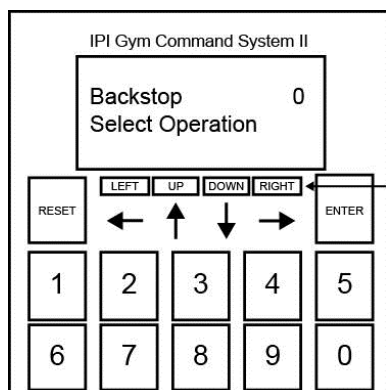


Gym Command System II Equipment Legend should be located in close proximity to the GCS Control Keypad for quick and easy reference. The legend will give you location and number of all of your gym equipment.

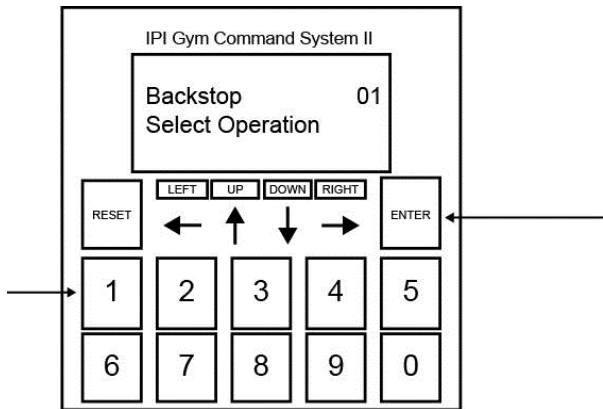
## Single Gym Equipment Operation



**ENTER** your 4 digit access code (after 30 seconds of inactivity LCD displays automatically resets)



**PRESS SCROLL RIGHT or LEFT** until you reach the gym equipment you want to control.



Press **ENTER**, the number in top right corner will flash. Type in gym equipment number using keypad (Refer to GCS EQUIPMENT LEGEND for correct number)

**EXAMPLE:** To lower basketball backstop #1

- 1) **ENTER** access code \*\*\*\*
- 2) Press Scroll Right to Basketball Select Equipment
- 3) Press **ENTER**
- 4) Number flashes
- 5) Type number 1 using keypad
- 6) Press **ENTER** - The number 1 will stop flashing \*
- 7) Press "**DOWN**" and hold down (to lower) to playing position

\* You must press **ENTER** or the system will not work properly.

To continue with other units or components just repeat steps 2 – 7 until all units you wish are in the position you wish. To prevent unauthorized personnel from operating, the LCD screen will reset after 30 seconds of inactivity and code must be re-entered.

**Personnel authorized for operation (List Name and Date Trained):**

---



---



---

**Cleaning:** Clean only the outside with a damp cloth. Make sure no liquid gets inside the housing.

**Warranty:** IPI by Bison warrants their equipment to be free from all defects in workmanship for one year for the date of final completion of product installation. This warranty does not cover misuse of equipment, vandalism, or normal wear and tear. All replacement parts must be obtained from or approved by IPI by Bison. Failure to review the replacement part requirements with IPI by Bison will void the warranty.

**Warnings:** Before raising or lowering gymnasium equipment make sure area is clear of people. Do not allow anyone to enter areas until the equipment is in full raised or lowered position and all motion stopped. Allow gymnasium equipment to come to a complete stop before reversing direction.

**Service:**

Date installed \_\_\_\_\_

Installer/Phone \_\_\_\_\_

Address \_\_\_\_\_

Distributor/Phone \_\_\_\_\_

Address \_\_\_\_\_