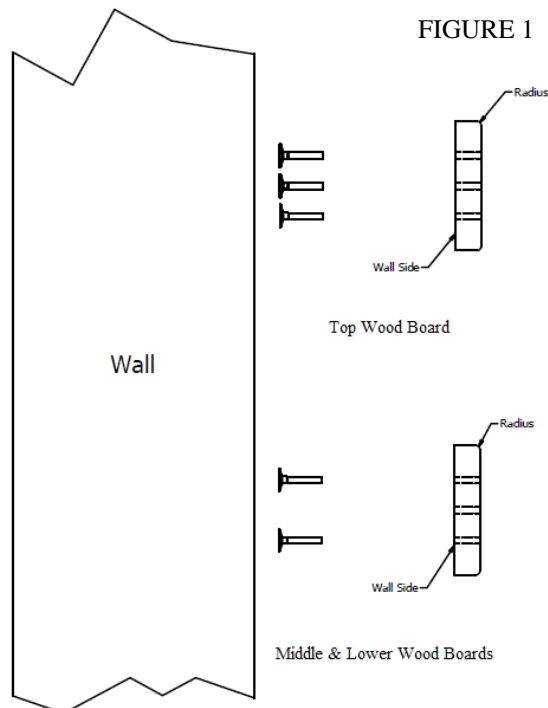


SIDEFOLD STRUCTURE

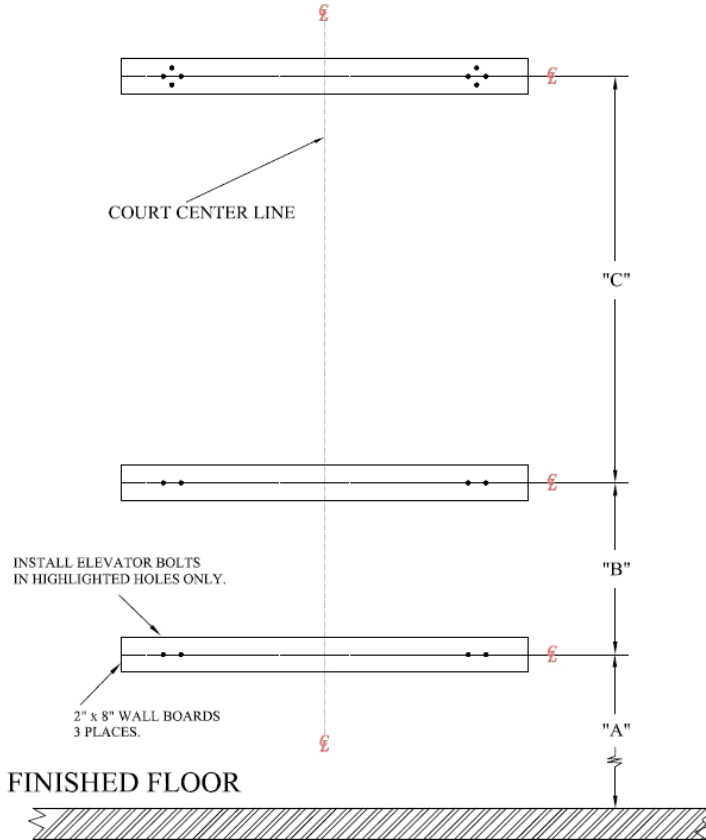
CAUTION !!!

Wall mount structures require a minimum ceiling and wall height as well as an acceptable wall mounting surface. Brick, block, or poured concrete walls are superior. It is inadvisable to mount structures to walls with wood or steel studs unless additional work approved by an engineer is done to provide additional support. Bison does not provide wall anchors with any structure. The purchaser assumes liability for the installation of any wall mounting structure. Consult a professional architect, engineer, or contractor to determine safe methods of installation to your facility's wall construction.

- ◆ Inspect all contents prior to installation. Report any missing parts to dealer immediately.
 - ◆ Read all instructions before proceeding.
1. Using the Wall Board Layout Diagram, determine which pre-drilled holes to use on the wall boards. Using a hammer, install the Flanged Elevator Bolts into the back of each wall board in the appropriate holes. See Figure 1.



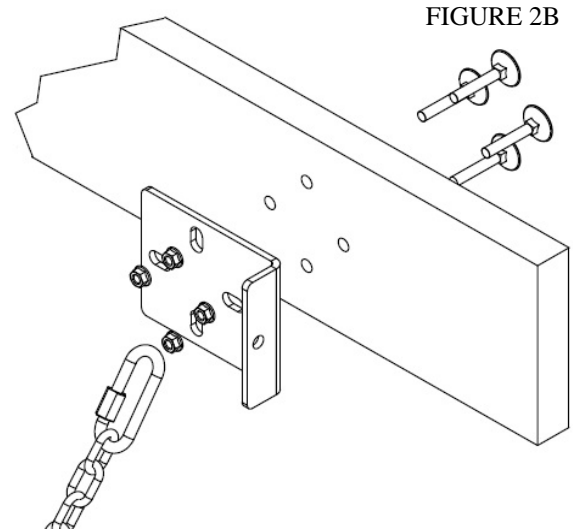
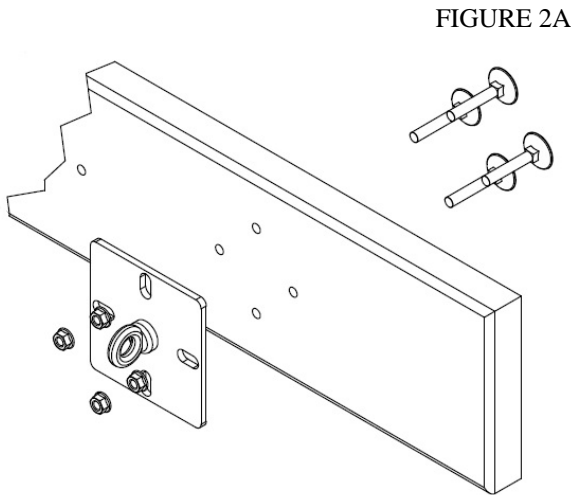
WALL BOARD LAYOUT DIAGRAM



NOTE !!!
Dimension "C" is shown on the installation prints packed with the backstop hardware.

Backboard Models	Dimension "B"
BA42XL	35 1/2" +/-1/4"
BA495	20" +/-1/4"
Backboard Models	DIM "A" FROM FINISHED FLOOR
BA42XL	9' 9 1/2" +/-1/4"
BA495	10' 2" +/-1/4"

- Mount the IPB450 Chain Mount Plate to the top wall board, on the side away from the direction of fold, using 3/8" serrated flange nuts. Mount the IPB1550WSFCS Off-set Chain Mount Angle to the top wall board, on the side that the backstop will be folding towards, using 3/8" serrated flange nuts. This wall board assembly will be mounted in the top position on the wall. See Figure 2A and Figure 2B.



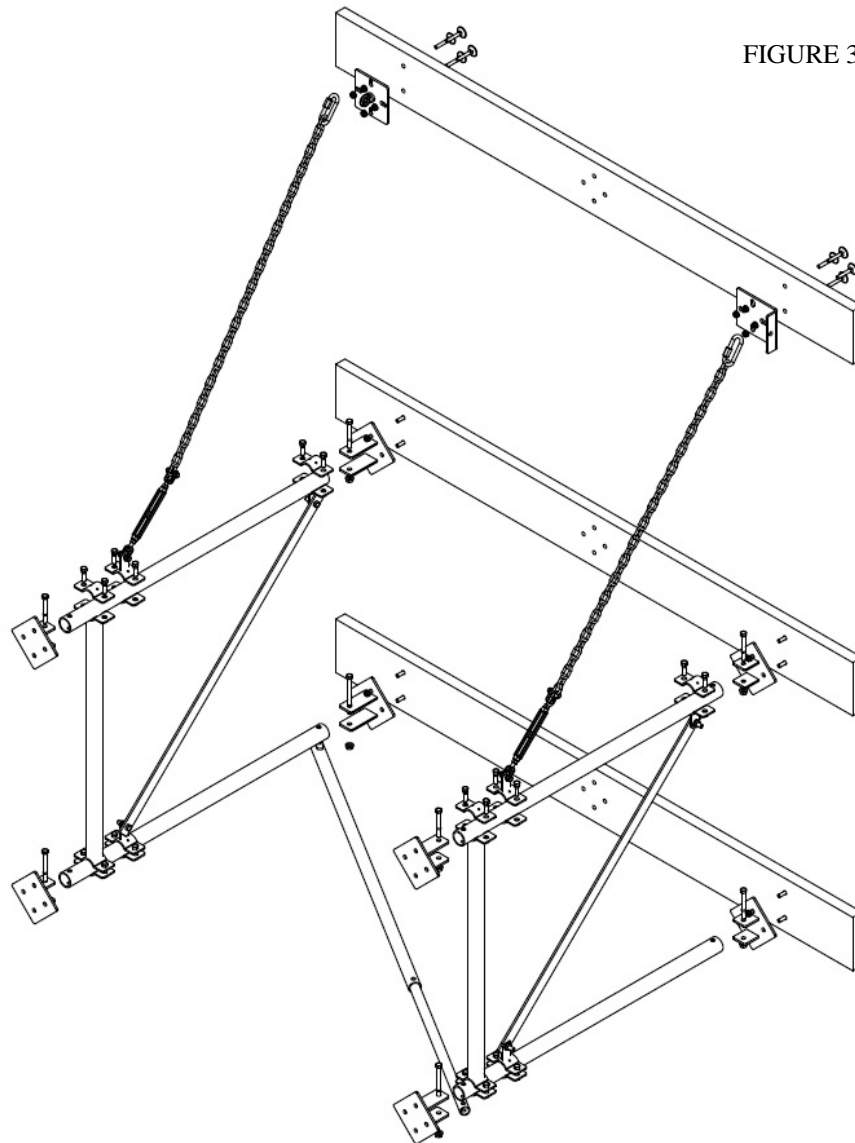
NOTE !!!
Be sure that all brackets are oriented according to the illustrations provided.

3. Mark the center line of the court on the wall. Fasten the three wall boards to the wall at the heights indicated on the enclosed prints and centered with the center line of the court, as shown on the wall board layout diagram. Drill holes in wall boards according to the position and type of wall anchors to be used. Anchor each wall board in no less than four places. If the wall is masonry (brick over block), block, or poured concrete **and** it's possible to drill through the wall **and** have access to the other side of the wall, it is strongly recommended that the installer bolts through the wall using 1/2" bolts.

Warning!!!

Severe injury to players or fans may result from failure to select a proper anchoring system given the construction and condition of the wall or the improper use of the proper anchoring system.

4. Attach the IPPC204 3/8" repair link and Grade 40 #7 Proof-Coil chain to each chain bracket. See Figure 3.



NOTE: This installation shows a backstop frame assembled to fold to the right.

5. Attach the IPB1340 (2 1/4") pivot bracket to the middle and bottom wall boards on the side that the backstop will be folding towards. Attach the IPB1360 (4 1/4") pivot bracket to the middle and bottom wall boards on the side away from the direction of fold. Attach both brackets to the wall board using 3/8" serrated flange nuts. See Figure 3.

6. Insert an IPPC105 bronze flanged bushing into each side of the hole in the extension pipe on the end at the wall board. See Figure 4. Attach an extension pipe to each pivot bracket. You may need to support the extension pipes until step #8 is completed.

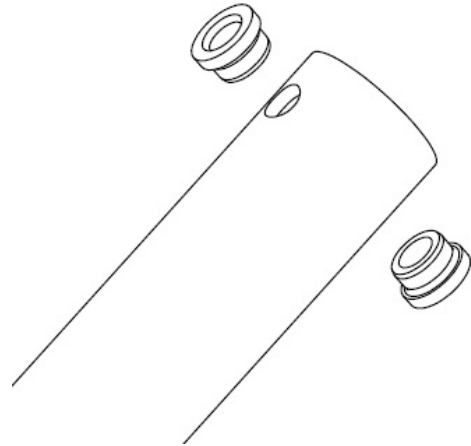


FIGURE 4

7. Attach an IPB1370 connector bracket to each chain with a turnbuckle. Attach the IPB1370 connector bracket to the top extension pipes.

8. Attach the IP1550WSF tubular brace to the top and bottom extension pipes. Install the IPB1370 connector brackets and 1 1/2"x2" flat steel braces between the top and bottom extension pipes. See Figure 3.

9. Attach the IPB1340 (2 1/4") pivot brackets to the top and bottom extension pipes on the side away from the direction of fold. These pipes will have an IPB1360 (4 1/4") pivot bracket installed on the wall board end. Attach the IPB1360 (4 1/4") pivot brackets to the top and bottom extension pipes on the side that the backstop will be folding towards. These pipes will have an IPB1340 (2 1/4") pivot bracket installed on the wall board end.

10. Attach the telescoping brace below the IPB1360 pivot bracket on the bottom extension pipe using a 7/16"x5" machine bolt. See Figure 5A and Figure 5B.

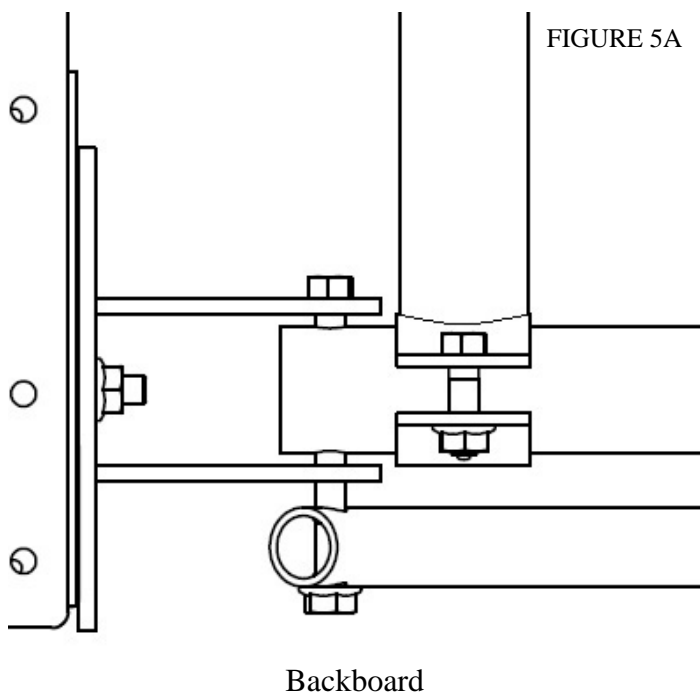


FIGURE 5A

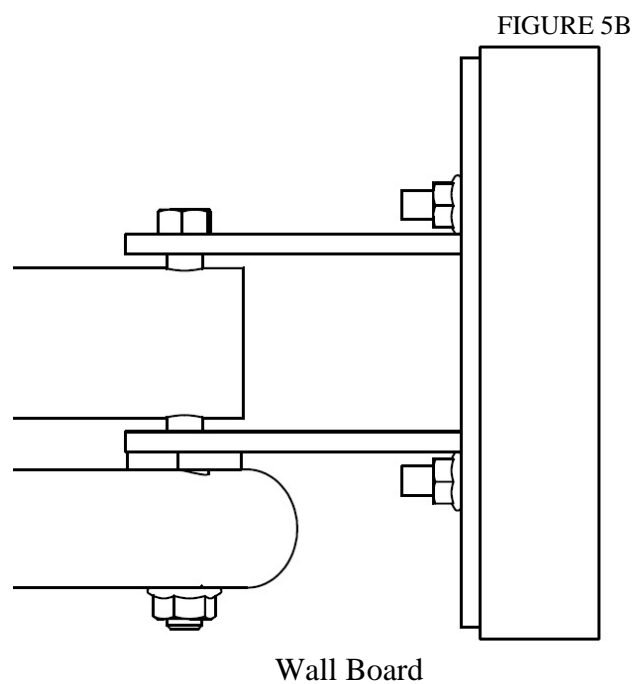


FIGURE 5B

11. Tighten the chains by adjusting the turnbuckles, as required, until there is no slack in the chains. Do not remove the excess chain until backstop installation is complete. See instruction step #15 and Figure 3.
12. If the backstop is to include a BA980 10' to 8' Rim Height Adjuster, install at this time using the installation instructions provided with the height adjuster. If height adjuster is not required, please proceed to the next step.
13. Mount the backboard to the structure. If you are installing a rectangular glass backboard, the attachment hardware is packed with the backboard, for all other backboards, the attachment hardware will be packed with the backstop frame hardware. Be sure to level the backboard. See Figure 6.

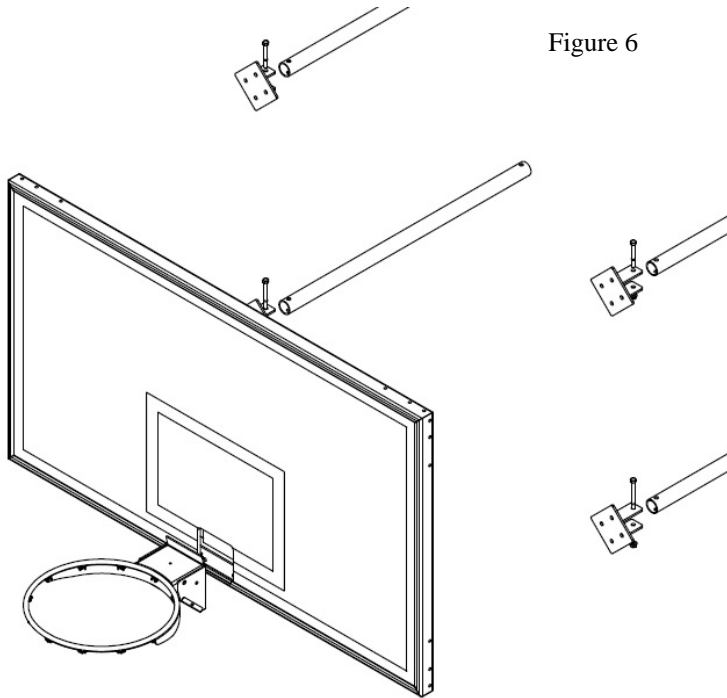


Figure 6

14. Mount the rim and net insuring that the rim is 10' above the playing surface and level.
15. Check to insure all bolts are tight. When all steps to this point are complete, remove any excess chain with bolt cutter or hacksaw.
16. Install backboard padding, if applicable.
17. Do not allow play until you are confident that the structure is securely mounted to the wall. The structure must be capable of supporting 1000 lbs. to be considered safe for play.

18. Pulling downward with the Structure Handle will release the stabilizer assembly allowing the entire wall structure to be folded against the wall when not in use.

IMPORTANT!!!
THE STRUCTURES MUST BE PARALLEL AND THE EXTENSIONS
MUST BE THE SAME LENGTH FOR PROPER FOLDING.

NOTE!
WALL MOUNTED STRUCTURES SHOULD BE CHECKED
YEARLY FOR LOOSE BOLTS OR ANCHORS.