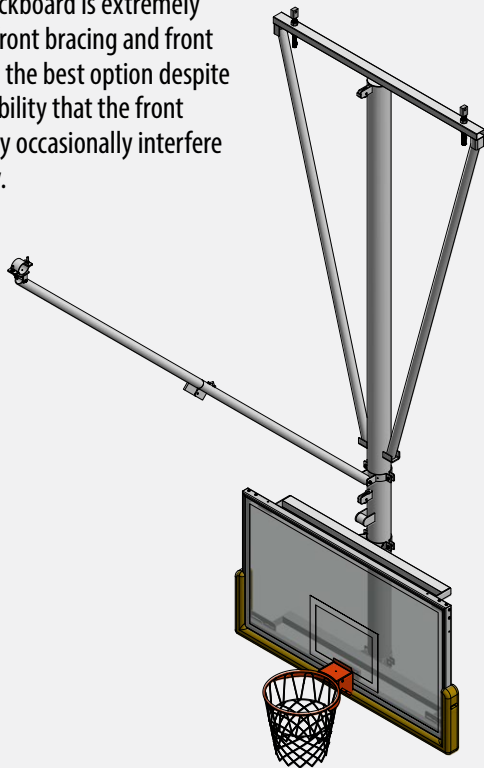


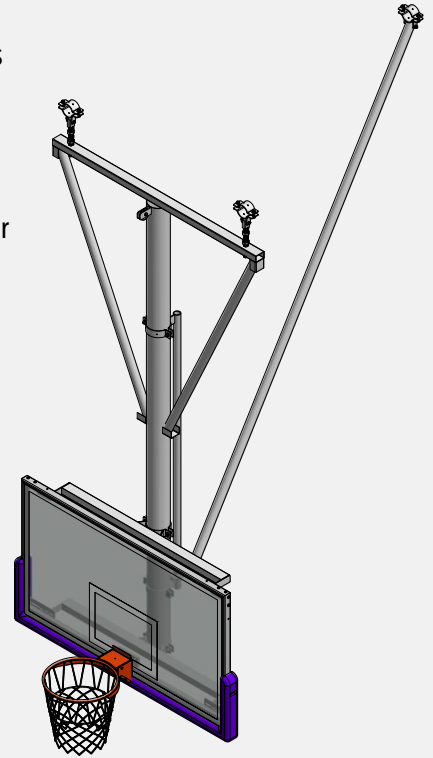
## IP1360FF Forward Fold, Front Braced

When the distance from the wall to the backboard is extremely limited, front bracing and front folding is the best option despite the possibility that the front brace may occasionally interfere with play.



## IP1350FF Forward Fold, Rear Braced

One of the most common designs. Suitable for gyms where there is limited unobstructed overhead space behind the required backboard position but enough space to allow rear bracing.



## IP1370FF Forward Fold, Offset Y, Front Braced

The offset Y frame design results in greater structural rigidity and allows the front bracing to be closer to the backboard position reducing possible interference during play. Also ideal for attachment heights above 28'. Requires more distance from wall to backboard than IP1360FF.

