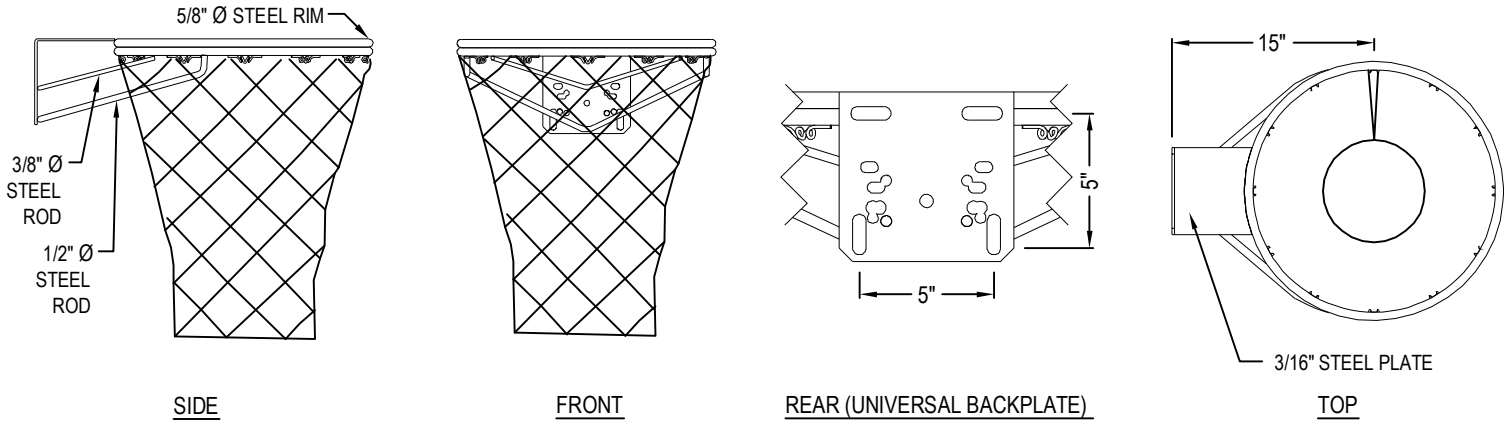




IPI BY BISON
 603 L STREET
 LINCOLN, NE 68508
 TOLL FREE: 1-800-637-7968
 FAX: 1-800-638-0698
 www.ipibybison.com

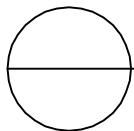


BA37N FRONT MOUNT DOUBLE RIM GOAL FOR NYLON NETS

RIM SHALL CONSIST OF TWO OFFICIAL SIZE 5/8" DIAMETER STEEL RINGS WELDED TOGETHER AT NO LESS THAN SIX PLACES. TWELVE INDIVIDUAL NET LOCKS SHALL BE ATTACHED TO THE LOWER RING. THE BACK PLATE SHALL BE A MINIMUM OF 3/16" THICK PUNCHED TO MOUNT ON ALL FRONT MOUNT BACKBOARDS. ONE 1/2" DIAMETER AND ONE 3/8" DIAMETER RIM SUPPORT SHALL PROVIDE ADDED STRENGTH. MOUNTING HARDWARE SHALL BE INCLUDED. RIM MUST HAVE A 1-YEAR LIMITED WARRANTY, AN ORANGE POWDER COATED FINISH, A NYLON NET, BE MADE IN THE USA AND WEIGH APPROXIMATELY 18#.

NOTES:

1. RIM SHALL CONSIST OF TWO OFFICIAL SIZE 5/8" DIAMETER STEEL RINGS WELDED TOGETHER AT NO LESS THAN SIX PIECES. TWELVE INDIVIDUAL NETLOCKS SHALL BE ATTACHED TO THE LOWER RING. THE BACKPLATES SHALL BE A MINIMUM OF 3/16" THICK PUNCHED TO MOUNT ON ALL FRONT MOUNT BACKBOARDS. ONE 1/2" DIAMETER AND ONE 3/8" DIAMETER RIM SUPPORT SHALL PROVIDE ADDED STRENGTH. MOUNTING HARDWARE SHALL BE INCLUDED. RIM MUST HAVE A 1-YEAR LIMITED WARRANTY, AN ORANGE POWDER COATED FINISH, A NYLON NET, BE MADE IN THE USA AND WEIGHT APPROXIMATELY 18#.
2. INSTALLATION TO BE COMPLETED IN ACCORDANCE WITH MANUFACTURER'S SPECIFICATIONS.
3. DO NOT SCALE DRAWING.
4. THIS DRAWING IS INTENDED FOR USE BY ARCHITECTS, ENGINEERS, CONTRACTORS, CONSULTANTS AND DESIGN PROFESSIONALS FOR PLANNING PURPOSES ONLY. THIS DRAWING MAY NOT BE USED FOR CONSTRUCTION.
5. ALL INFORMATION CONTAINED HEREIN WAS CURRENT AT THE TIME OF DEVELOPMENT BUT MUST BE REVIEWED AND APPROVED BY THE PRODUCT MANUFACTURER TO BE CONSIDERED ACCURATE.
6. CONTRACTOR'S NOTE: FOR PRODUCT AND COMPANY INFORMATION VISIT www.CADdetails.com/info AND ENTER REFERENCE NUMBER 4846-050.



OUTDOOR GOOSENECK BASKETBALL BACKSTOPS

BA37N SUPER DOUBLE RIM GOAL WITH NYLON NET