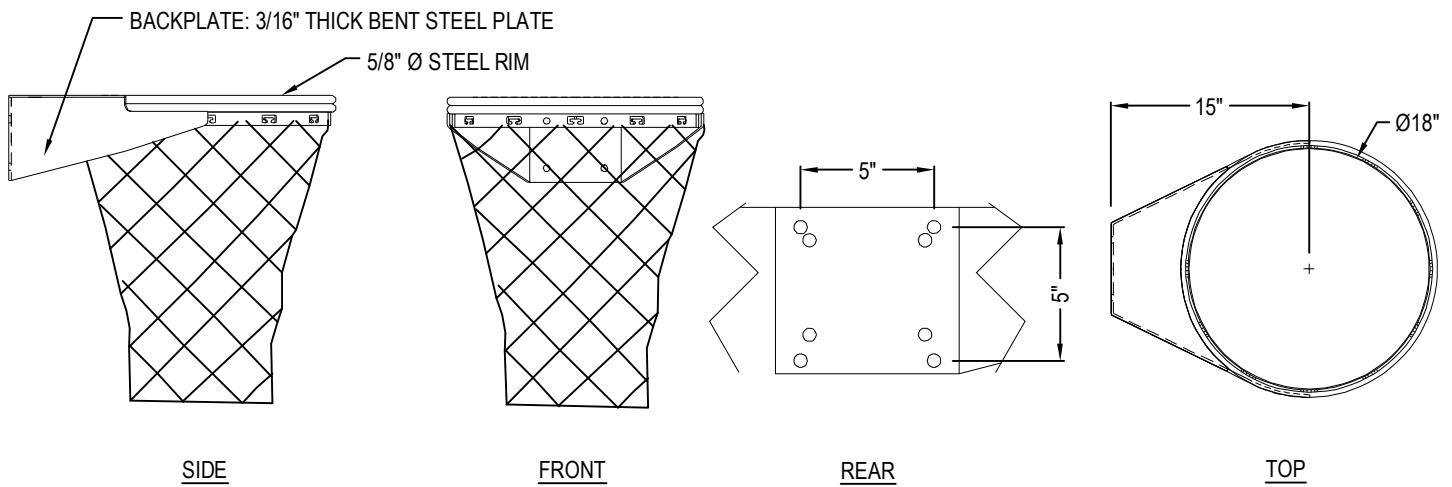




IPI BY BISON  
 603 L STREET  
 LINCOLN, NE 68508  
 TOLL FREE: 1-800-637-7968  
 FAX: 1-800-638-0698  
 www.ipibybison.com

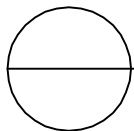


**BA39U ULTIMATE FRONT MOUNT PLAYGROUND GOAL**

RIM SHALL CONSIST OF TWO 5/8" DIAMETER HIGH STRENGTH STEEL RINGS WELDED TOGETHER AT A MINIMUM OF SIX PLACES. BACK AND SIDE PLATES SHALL BE 3/16" THICK AND BE CONTINUOUSLY WELDED. THE NET ATTACHMENT SYSTEM SHALL BE OF A CONTINUOUS TYPE CONSTRUCTED OF 3/16" X 1" STEEL WITH PUNCHED NET ATTACHMENT SLOTS SUITABLE FOR NYLON (INCLUDED) OR CHAIN (OPTIONAL) NETS. INDIVIDUAL OR CONTINUOUS WIRE FORMED NETLOCKS ARE NOT AN ACCEPTABLE EQUAL. RIM SHALL BE PUNCHED TO MOUNT ON ANY FRONT MOUNT BACKBOARD, HAVE AN UNCONDITIONAL LIFETIME WARRANTY AND ORANGE POWDER COATED FINISH. MOUNTING HARDWARE SHALL BE INCLUDED. RIM SHALL BE MADE IN THE USA AND WEIGH APPROXIMATELY 27#.

**NOTES:**

1. INSTALLATION TO BE COMPLETED IN ACCORDANCE WITH MANUFACTURER'S SPECIFICATIONS.
2. DO NOT SCALE DRAWING.
3. THIS DRAWING IS INTENDED FOR USE BY ARCHITECTS, ENGINEERS, CONTRACTORS, CONSULTANTS AND DESIGN PROFESSIONALS FOR PLANNING PURPOSES ONLY. THIS DRAWING MAY NOT BE USED FOR CONSTRUCTION.
4. ALL INFORMATION CONTAINED HEREIN WAS CURRENT AT THE TIME OF DEVELOPMENT BUT MUST BE REVIEWED AND APPROVED BY THE PRODUCT MANUFACTURER TO BE CONSIDERED ACCURATE.
5. CONTRACTOR'S NOTE: FOR PRODUCT AND COMPANY INFORMATION VISIT [www.CADdetails.com/info](http://www.CADdetails.com/info) AND ENTER REFERENCE NUMBER 4846-051.



**OUTDOOR GOOSENECK BASKETBALL BACKSTOPS**

BA39U ULTIMATE DOUBLE RIM GOAL WITH NYLON NET