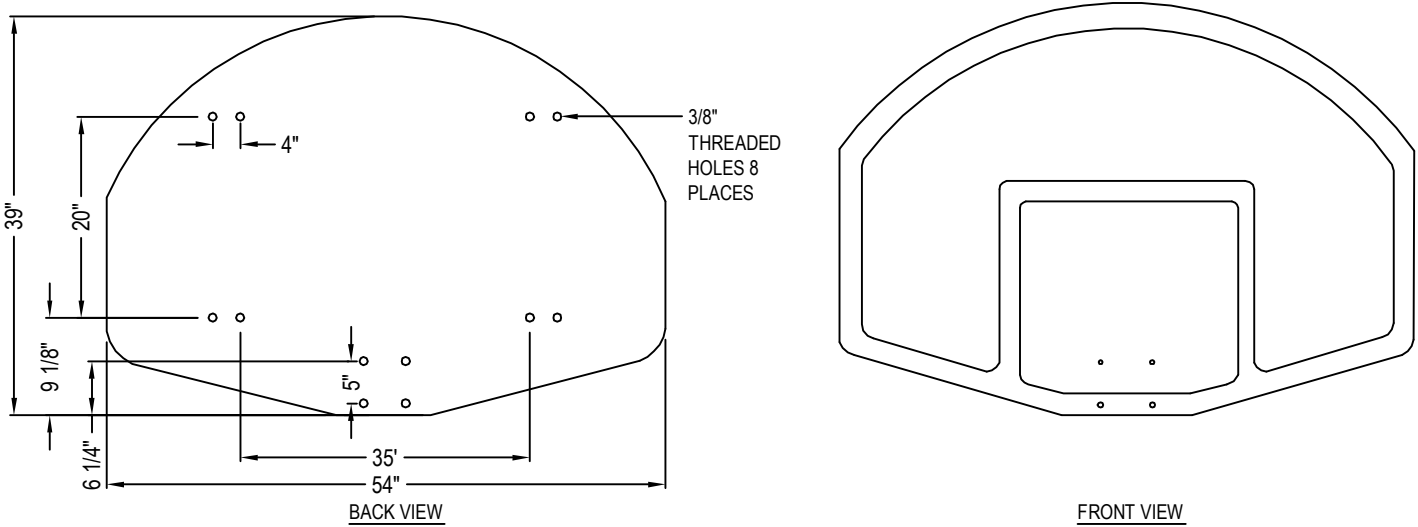




IPI BY BISON
 603 L STREET
 LINCOLN, NE 68508
 TOLL FREE: 1-800-637-7968
 FAX: 1-800-638-0698
 www.ipibybison.com

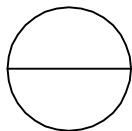


BA465 FAN-SHAPED FIBERGLASS FRONT MOUNT BACKBOARD

BACKBOARD SHALL BE 54" X 39" FAN SHAPED FIBERGLASS. THE FRONT AND REAR SHELL SHALL BE GEL COATED FIBERGLASS THAT IS A MINIMUM OF 1/8" THICK. THE FRONT AND REAR SHALL BE PERMANENTLY BONDED TOGETHER AROUND A SOLID FIBER CORE TO CREATE A SOLID BACKBOARD WITH AN OVERALL THICKNESS OF 1 1/2". EIGHT (8) THREADED STEEL INSERTS ARE MOLDED INTO THE REAR SHELL TO FACILITATE MOUNTING TO COMMON 20" X 35" SUPPORT STRUCTURE. THE FRONT AND BACK OF THE BACKBOARD SHALL BE WHITE AND AN OFFICIAL ORANGE SHOOTER'S SQUARE AND BOARDER SHALL BE PERMANENTLY MOLDED INTO THE SURFACE. BACKBOARD SHALL ACCEPT RIMS WITH A 5" X 5" HOLE PATTERN AND BE MANUFACTURED IN THE USA. BACKBOARD SHALL CARRY A 10-YEAR LIMITED WARRANTY AND HAVE A SHIPPING WEIGHT OF 89#.

NOTES:

1. INSTALLATION TO BE COMPLETED IN ACCORDANCE WITH MANUFACTURER'S SPECIFICATIONS.
2. DO NOT SCALE DRAWING.
3. THIS DRAWING IS INTENDED FOR USE BY ARCHITECTS, ENGINEERS, CONTRACTORS, CONSULTANTS AND DESIGN PROFESSIONALS FOR PLANNING PURPOSES ONLY. THIS DRAWING MAY NOT BE USED FOR CONSTRUCTION.
4. ALL INFORMATION CONTAINED HEREIN WAS CURRENT AT THE TIME OF DEVELOPMENT BUT MUST BE REVIEWED AND APPROVED BY THE PRODUCT MANUFACTURER TO BE CONSIDERED ACCURATE.
5. CONTRACTOR'S NOTE: FOR PRODUCT AND COMPANY INFORMATION VISIT www.CADdetails.com/info AND ENTER REFERENCE NUMBER 4846-032.



BACKBOARDS & GOALS

BA465: FAN-SHAPED FIBERGLASS BACKBOARD