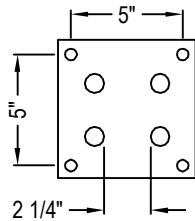
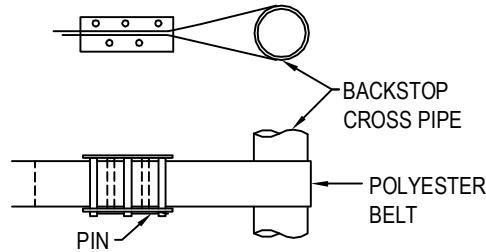




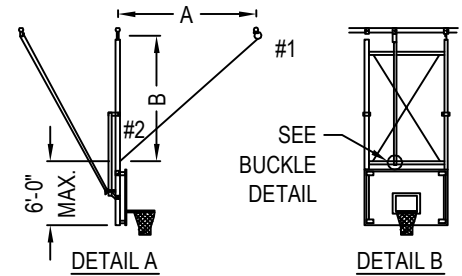
IPI BY BISON  
 603 L STREET  
 LINCOLN, NE 68508  
 TOLL FREE: 1-800-637-7968  
 FAX: 1-800-638-0698  
 www.ipibybison.com



TOP PLATE DETAIL

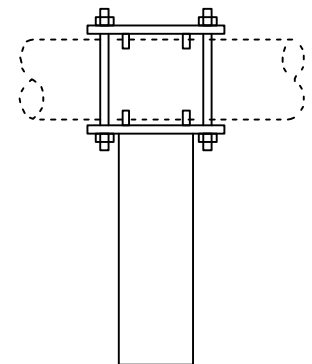


BUCKLE DETAIL



THIS IS A TYPICAL ILLUSTRATION.  
 THE PRINCIPLE WOULD BE THE  
 SAME FOR ALL DESIGNS & TYPES  
 OF BACKSTOPS

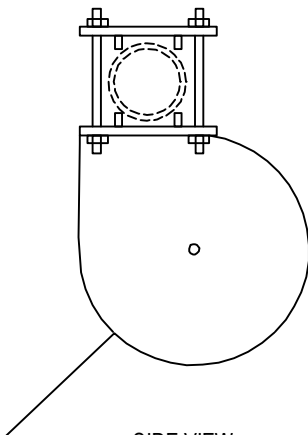
3 1/2" SUPPORT PIPE MAY BE  
 TURNED EITHER DIRECTION



FRONT VIEW

FOR ATTACHMENT TO BACKSTOP FRAME, REMOVE PIN FROM BUCKLE AND REMOVE THE OUTER RETAINER. PLACE THE BELT AROUND THE BACKSTOP CROSS PIPE OR OTHER AVAILABLE MEMBER, DEPENDING ON THE TYPE OF BACKSTOP. RETURN LOOSE END OF BELT BACK ACROSS BUCKLE. LEAVE SUFFICIENT OVERAGE TO CLEAR BUCKLE. REPLACE OUTER RETAINER AND PIN. SNUG BUCKLE TO CROSS PIPE.

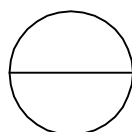
THE BA955 SAF-LOK SHALL BE COMPLETELY AUTOMATIC MECHANISM WHICH OPERATES ON THE PRINCIPLE OF INERTIA, SIMILAR TO AUTOMOBILE SAFETY BELTS, WITH A 2 INCH WIDE POLYESTER STRAP CAPABLE OF HOLDING A LOAD OF 6000 POUNDS. THE BA955 SAF-LOK AUTOMATICALLY ENGAGES TO LOCK THE BASKETBALL BACKSTOP IN POSITION AT ANYTIME, DUE TO A SUDDEN SURGE OF SPEED CREATED BY CABLE BREAKAGE OR OTHER PARTS FAILURE. FACTORY TESTED AT 1000 POUNDS OF FREE FALL THRUST. THE BA955 SAF-LOK HAS AN AUTOMATIC RESET FEATURE, THUS ELIMINATING THE NEED FOR MANUAL OR ELECTRIC RESET. A SPECIAL HEAVY DUTY BUCKLE IS INCLUDED FOR THE ATTACHMENT OF THE POLYESTER STRAP TO THE BACKSTOP FRAME.



SIDE VIEW

NOTES:

1. INSTALLATION TO BE COMPLETED IN ACCORDANCE WITH MANUFACTURER'S SPECIFICATIONS.
2. DO NOT SCALE DRAWING.
3. THIS DRAWING IS INTENDED FOR USE BY ARCHITECTS, ENGINEERS, CONTRACTORS, CONSULTANTS AND DESIGN PROFESSIONALS FOR PLANNING PURPOSES ONLY. THIS DRAWING MAY NOT BE USED FOR CONSTRUCTION.
4. ALL INFORMATION CONTAINED HEREIN WAS CURRENT AT THE TIME OF DEVELOPMENT BUT MUST BE REVIEWED AND APPROVED BY THE PRODUCT MANUFACTURER TO BE CONSIDERED ACCURATE.
5. CONTRACTOR'S NOTE: FOR PRODUCT AND COMPANY INFORMATION VISIT [www.CADdetails.com/info](http://www.CADdetails.com/info) AND ENTER REFERENCE NUMBER 4846-023.



**WINCHES & ACCESSORIES**

BA955: SAF-LOK