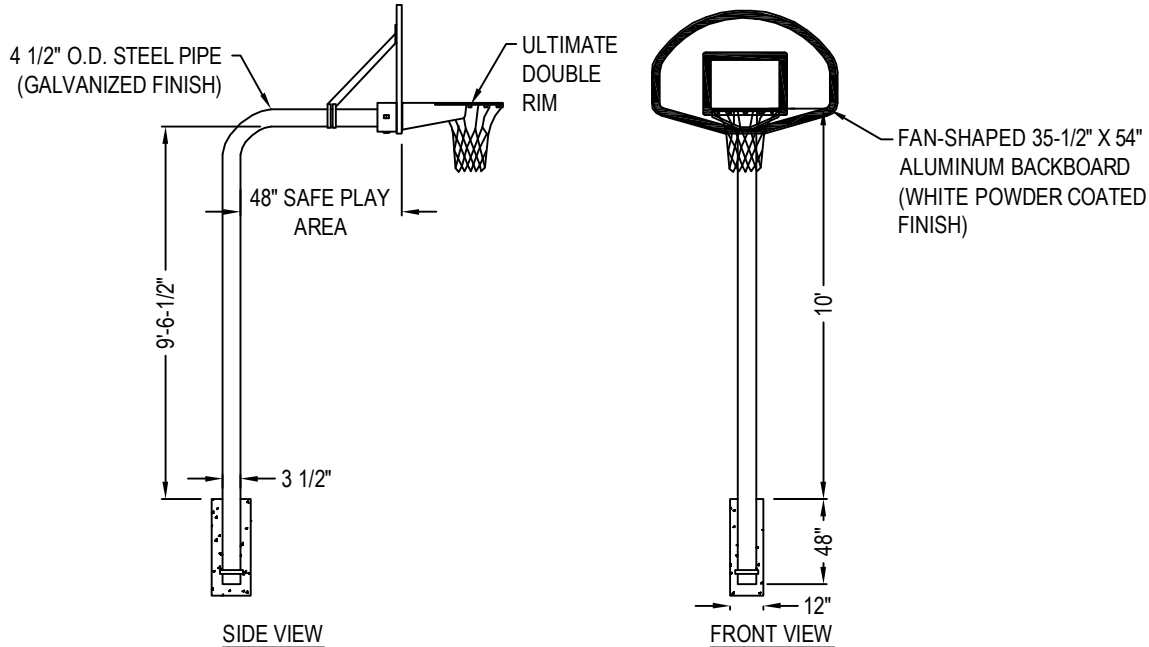




IPI BY BISON
 603 L STREET
 LINCOLN, NE 68508
 TOLL FREE: 1-800-637-7968
 FAX: 1-800-638-0698
 www.ipibybison.com

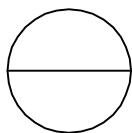


PR52 HEAVY-DUTY FINISHED ALUMINUM FAN GOOSENECK PLAYGROUND SYSTEM SYSTEM

SHALL CONSIST OF THE FOLLOWING COMPONENTS: POLE SHALL BE CONSTRUCTED OF 4 1/2" OUTSIDE DIAMETER RS40 ZINC FLOW COATED STEEL TUBING WITH A 7 GA. WALL THICKNESS. DESIGN SHALL BE A BENT GOOSENECK STYLE AND ALLOW FOR A 48" BURY INTO THE GROUND AND A 48" EXTENSION FROM THE FRONT OF THE POLE TO THE FACE OF THE BACKBOARD. TWO 1 5/8" DIAMETER 13 GA. ZINC FLOW COATED TUBULAR BRACES SHALL SUPPORT THE TOP OF THE BACKBOARD AND CONNECT DIRECTLY TO THE POLE. POLE SHALL BE DESIGNED SO THAT THE RIM MOUNTS DIRECTLY TO THE HORIZONTAL POLE SECTION THROUGH THE BACKBOARD TO ELIMINATE STRESS ON THE BACKBOARD DURING PLAY. POLE SYSTEMS WITHOUT BACKBOARD SUPPORT BRACES SHALL NOT BE CONSIDERED EQUAL. POLES SHALL CARRY A MINIMUM 25-YEAR WARRANTY. BACKBOARD SHALL BE CONSTRUCTED OF CAST ALUMINUM WITH A 36" X 54" FAN-SHAPED PLAYING SURFACE. THE MINIMUM PLAYING SURFACE THICKNESS SHALL BE 3/16". A MINIMUM OF 35' OF SUPPORT RIBS SHALL BE CAST INTO THE REAR OF THE BACKBOARD. TOTAL THICKNESS OF THE BACKBOARD SHALL BE 1 3/8". THE BACKBOARD SHALL BE COATED WITH A WHITE TEXTURED POLYESTER POWDER COATED FINISH AND HAVE AN OFFICIAL SIZE ORANGE SHOOTER'S SQUARE AND BORDER. BACKBOARD SHALL CARRY A LIMITED LIFETIME WARRANTY RIM SHALL BE CONSTRUCTED OF TWO 5/8" DIAMETER HIGH STRENGTH STEEL RINGS WELDED TOGETHER AT A MINIMUM OF SIX PLACES. BACK AND SIDE PLATES SHALL BE 3/16" THICK AND BE CONTINUOUSLY WELDED. THE NET ATTACHMENT SYSTEM SHALL BE OF A CONTINUOUS TYPE CONSTRUCTED OF 3/16" X 1" STEEL WITH PUNCHED NET ATTACHMENT SLOTS SUITABLE FOR NYLON (INCLUDED) OR CHAIN (OPTIONAL) NETS. INDIVIDUAL OR CONTINUOUS WIRE FORMED NETLOCKS ARE NOT AN ACCEPTABLE EQUAL. RIM SHALL HAVE AN UNCONDITIONAL LIFETIME WARRANTY AND ORANGE POWDER COATED FINISH. FOR STAINLESS STEEL HARDWARE ORDER BA770SSH. ENTIRE SYSTEM SHALL WEIGH 235#.

NOTES:

1. INSTALLATION TO BE COMPLETED IN ACCORDANCE WITH MANUFACTURER'S SPECIFICATIONS.
2. DO NOT SCALE DRAWING.
3. THIS DRAWING IS INTENDED FOR USE BY ARCHITECTS, ENGINEERS, CONTRACTORS, CONSULTANTS AND DESIGN PROFESSIONALS FOR PLANNING PURPOSES ONLY. THIS DRAWING MAY NOT BE USED FOR CONSTRUCTION.
4. ALL INFORMATION CONTAINED HEREIN WAS CURRENT AT THE TIME OF DEVELOPMENT BUT MUST BE REVIEWED AND APPROVED BY THE PRODUCT MANUFACTURER TO BE CONSIDERED ACCURATE.
5. CONTRACTOR'S NOTE: FOR PRODUCT AND COMPANY INFORMATION VISIT www.CADdetails.com/info AND ENTER REFERENCE NUMBER 4846-013.



COMPLETE OUTDOOR BACKSTOPS

PR52: 4' EXTENSION, FAN ALUMINUM BACKBOARD