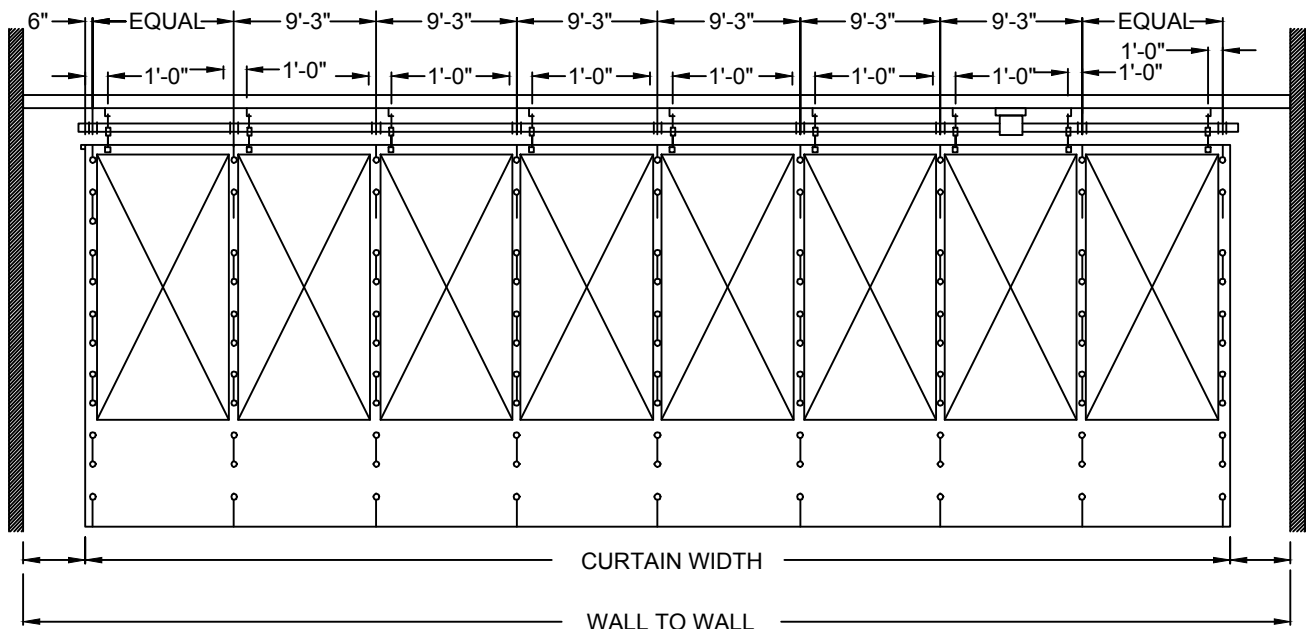


DRIVE PIPE LAYOUT



CURTAIN ELEVATION

NOTES:

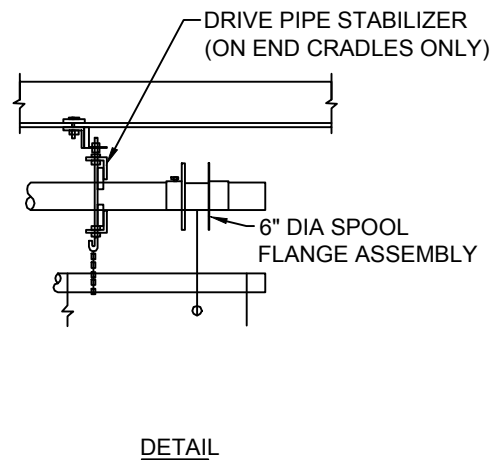
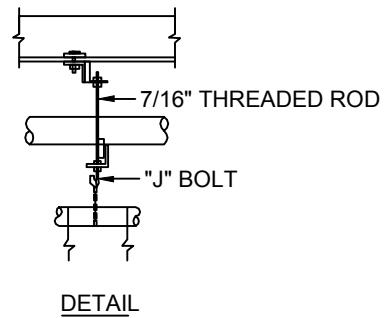
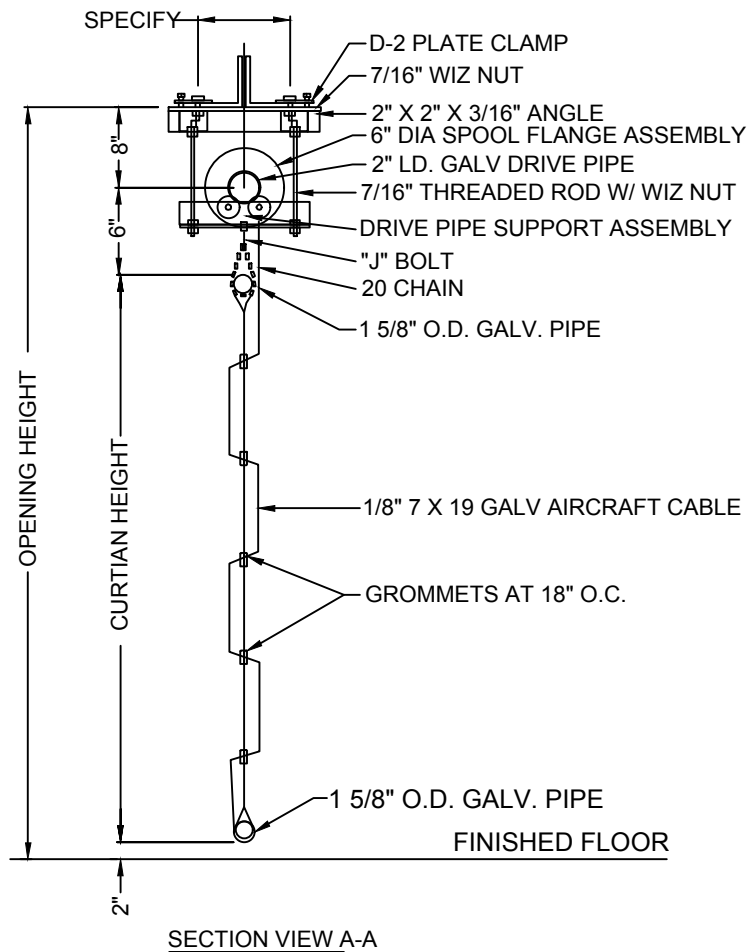
1. INSTALLATION TO BE COMPLETED IN ACCORDANCE WITH MANUFACTURER'S SPECIFICATIONS.
2. VCP MESH COLOR: _____.
3. 18 OZ. VINYL FABRIC COLOR: _____.
4. DO NOT SCALE DRAWING.



PRODUCT SPECIFICATION

IP850: FOLD UP GYM DIVIDER CURTAIN, ELEVATION AND LAYOUT (1 OF 2)

REVISED 8/1/17



NOTES:

1. INSTALLATION TO BE COMPLETED IN ACCORDANCE WITH MANUFACTURER'S SPECIFICATIONS.
2. DO NOT SCALE DRAWING.



PRODUCT SPECIFICATION

IP850: FOLD UP GYM DIVIDER CURTAIN, SECTION AND DETAIL (2 OF 2)

REVISED 8/1/17