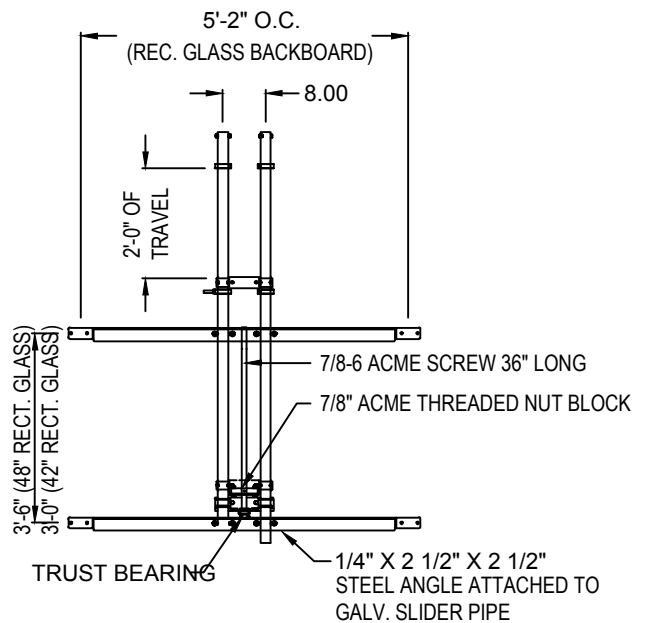


SIDE VIEW



FRONT VIEW

NOTES:

1. INSTALLATION TO BE COMPLETED IN ACCORDANCE WITH MANUFACTURER'S SPECIFICATIONS.
2. DO NOT SCALE DRAWING.



PRODUCT SPECIFICATION

IPHA120YMA: MANUAL RIM HEIGHT ADJUSTER FOR Y FRAME BACKSTOPS

REVISED 8/1/17