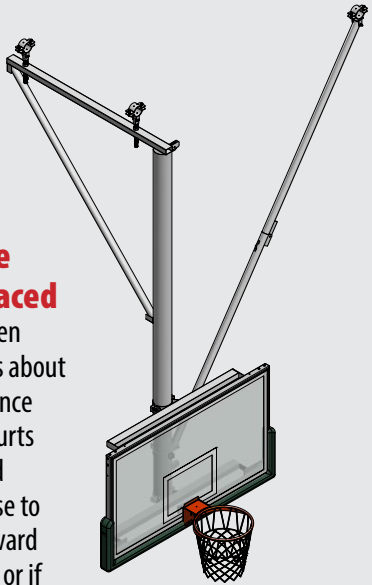


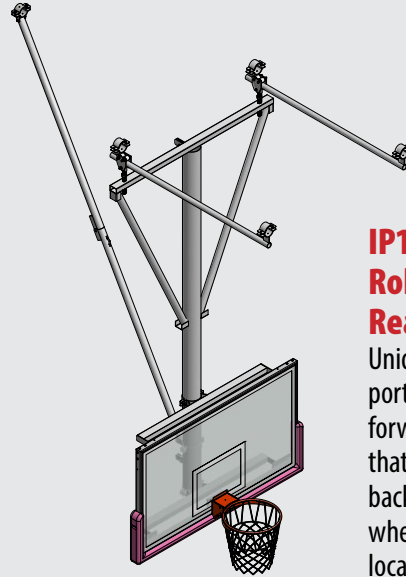
## IP1345SF Side Fold, Side Braced

A good choice when there are concerns about avoiding interference with volleyball courts but the backboard position is too close to the wall for backward folding structures or if ceiling heights are below ideal levels.



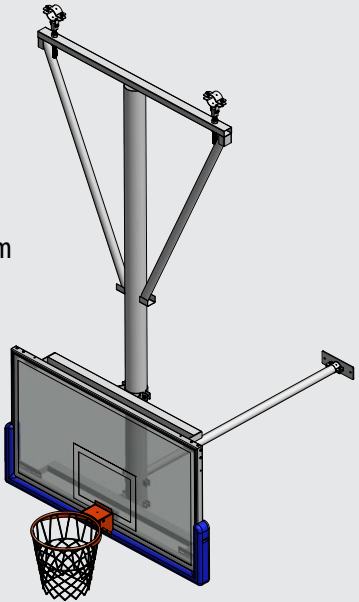
## IP1345FRBF Forward Roll, Backward Fold, Rear Braced

Unique design allows the upper portion of the Y Frame to roll forward toward the court so that the backboard can fold backward to the ceiling. Ideal when space behind backboard location is limited.



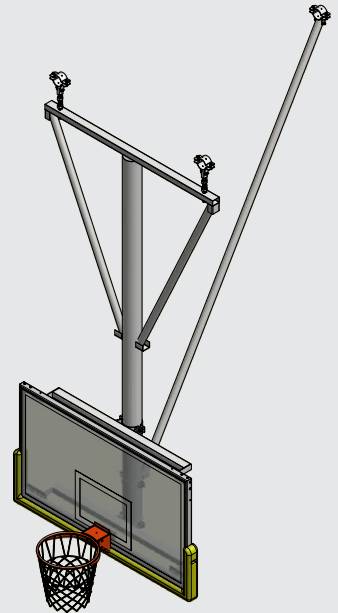
## IP1345CW Stationary, Wall Braced

When folding structure is not required and backboard is no more than 10' from the wall, this system will provide the most affordable and rigid option available.



## IP1345CS Stationary, Ceiling Braced

Similar stationary structure as IP1345CW to the left except for use when wall to backboard distance is more than 10' or wall attachment is impossible or undesirable so that either forward or rear bracing is substituted for wall bracing.



Design files, certificates, specifications, and more can be found on our website on our Toolbox page. Please contact us with any questions or if you need assistance with take-offs, customization, or product recommendations. Color samples for our digitally printed items, solid and mesh vinyl, and powder coating as well as catalogs and architect's resource binders are available at no charge upon request.