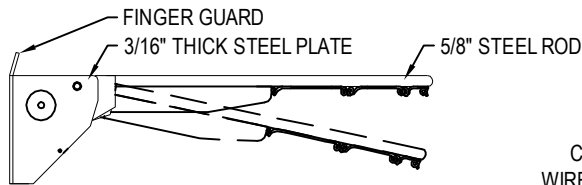
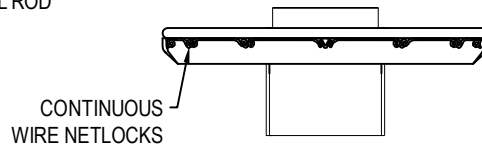




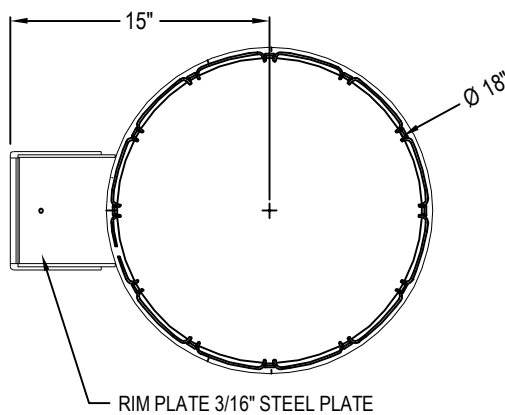
IPI BY BISON
 603 L STREET
 LINCOLN, NE 68508
 TOLL FREE: 1-800-637-7968
 FAX: 1-800-638-0698
 www.ipibybison.com



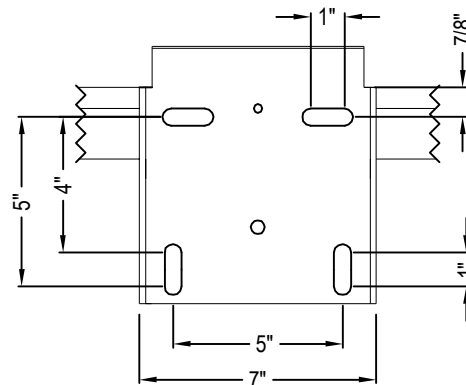
SIDE



FRONT



BOTTOM

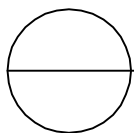


REAR

GOAL SHALL BE CONSTRUCTED USING 5/8" DIAMETER HIGH STRENGTH AISI 1018 COLD DRAWN CARBON STEEL RING WITH CONTINUOUS WIRE NET LOCKS TO ACCEPT ANTI-WHIP NYLON NET (INCLUDED). ALL BACK PLATE COMPONENTS SHALL BE CONSTRUCTED OF 3/16" THICK STEEL. THE MOUNTING PLATE SHALL BE PUNCHED WITH HOLE PATTERNS FOR MOUNTING TO 42" X 72" RECTANGULAR, 48" X 72" RECTANGULAR AND 54" X 39" FAN-SHAPED GLASS BACKBOARDS. THE RIM SUPPORT BRACE SHALL BE 1/4" X 1 1/2" STEEL AND PROVIDE CONTINUOUS SUPPORT FOR 180° OF THE CIRCUMFERENCE OF THE 5/8" RING. THE BREAKAWAY MECHANISM SHALL BE OF THE POSITIVE LOCK DESIGN, FACTORY PRESET. AN AUTOMATIC RETURN SHALL BE PROVIDED BY MEANS OF TWO RETURN SPRINGS WHICH SHALL ALSO CUSHION THE BREAKAWAY ACTION WHEN THE PRESSURE RELEASE SETTING HAS BEEN EXCEEDED. TWO HARDENED STEEL BALLS SHALL BE CONTAINED IN A TUBULAR ASSEMBLY WITH EACH BEING FORCED OUTWARD WITH EQUAL PRESSURE BY A SINGLE SPRING. THE BALLS SHALL NEST ON EACH SIDE OF THE RIM/BACKPLATE ASSEMBLY IN A HARDENED DETENT. SAID BALL/DETENT MECHANISM SHALL PROVIDE PROPER BREAKAWAY PRESSURE. ALL PINCH POINTS SHALL BE ELIMINATED FOR PLAYER SAFETY. ENTIRE MECHANISM SHALL BE COVERED BY A STEEL COVERPLATE. ALL COMPONENTS SHALL BE COATED WITH AN OFFICIAL ORANGE POWDER COATED FINISH. INSTALLATION TO BE COMPLETED IN ACCORDANCE WITH MANUFACTURER'S INSTRUCTIONS. DO NOT SCALE DRAWINGS. GOAL SHALL CARRY AN UNCONDITIONAL 3-YEAR REPLACEMENT WARRANTY, BE MANUFACTURED IN THE USA AND MEET ALL NCAA AND NATIONAL HIGH SCHOOL FEDERATION STANDARDS AND WEIGHS 23#.

NOTES:

1. INSTALLATION TO BE COMPLETED IN ACCORDANCE WITH MANUFACTURER'S SPECIFICATIONS.
2. DO NOT SCALE DRAWING.
3. THIS DRAWING IS INTENDED FOR USE BY ARCHITECTS, ENGINEERS, CONTRACTORS, CONSULTANTS AND DESIGN PROFESSIONALS FOR PLANNING PURPOSES ONLY. THIS DRAWING MAY NOT BE USED FOR CONSTRUCTION.
4. ALL INFORMATION CONTAINED HEREIN WAS CURRENT AT THE TIME OF DEVELOPMENT BUT MUST BE REVIEWED AND APPROVED BY THE PRODUCT MANUFACTURER TO BE CONSIDERED ACCURATE.
5. CONTRACTOR'S NOTE: FOR PRODUCT AND COMPANY INFORMATION VISIT www.CADdetails.com/info AND ENTER REFERENCE NUMBER 4846-038.



BACKBOARDS & GOALS

BA35 PROTECH™ COMPETITION BREAKAWAY GOAL