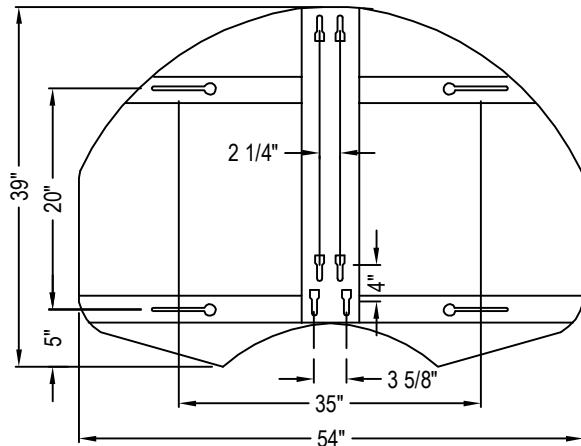
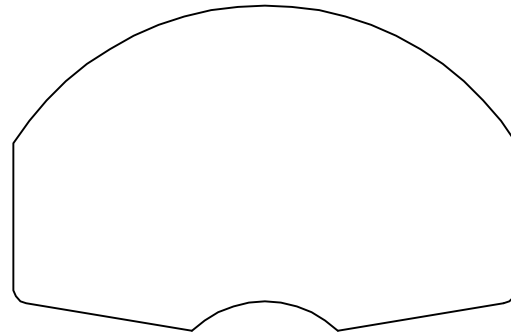




IPI BY BISON  
603 L STREET  
LINCOLN, NE 68508  
TOLL FREE: 1-800-637-7968  
FAX: 1-800-638-0698  
www.ipibybison.com



BACK VIEW



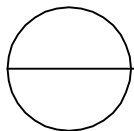
FRONT VIEW

**BA485 RUFF PLAY™ REAR MOUNT STEEL PLAYGROUND BACKBOARD (54" X 35" FAN)**

BACKBOARD SHALL BE 54" X 35" FAN-SHAPED STEEL AND BE DESIGNED FOR REAR MOUNT RIM APPLICATIONS. SKIN SHALL BE 12 GA. MILD STEEL WITH 7 GA. AND 10 GA. SUPPORT STRUCTURE AND BE PRE-PUNCHED TO ACCEPT BISON BA64 PROTECTOR ANGLES TO PROTECT BACKBOARDS FROM DAMAGE DURING ROUGH USE. BACKBOARDS WITHOUT PROTECTOR ANGLE HOLES SHALL NOT BE CONSIDERED EQUAL. ALL SKIN EDGES SHALL BE FORMED TO CREATE A 1 1/2" LIP TO ADD STRENGTH. STRUCTURE ON THE REAR SHALL ALLOW MOUNTING TO COMMON 20" X 35" SUPPORTS. THE BACKBOARD SHALL BE COATED WITH A WHITE POLYESTER POWDER COATED FINISH. BACKBOARD SHALL CARRY A 5-YEAR LIMITED WARRANTY (10-YEAR IF USED WITH BISON BA64 OR BA31U) AND HAVE A SHIPPING WEIGHT OF APPROXIMATELY 90#.

NOTES:

1. INSTALLATION TO BE COMPLETED IN ACCORDANCE WITH MANUFACTURER'S SPECIFICATIONS.
2. DO NOT SCALE DRAWING.
3. THIS DRAWING IS INTENDED FOR USE BY ARCHITECTS, ENGINEERS, CONTRACTORS, CONSULTANTS AND DESIGN PROFESSIONALS FOR PLANNING PURPOSES ONLY. THIS DRAWING MAY NOT BE USED FOR CONSTRUCTION.
4. ALL INFORMATION CONTAINED HEREIN WAS CURRENT AT THE TIME OF DEVELOPMENT BUT MUST BE REVIEWED AND APPROVED BY THE PRODUCT MANUFACTURER TO BE CONSIDERED ACCURATE.
5. CONTRACTOR'S NOTE: FOR PRODUCT AND COMPANY INFORMATION VISIT [www.CADdetails.com/info](http://www.CADdetails.com/info) AND ENTER REFERENCE NUMBER 4846-030.



**BACKBOARDS & GOALS**

BA485: FAN-SHAPED STEEL REAR MOUNT BOARD