

# INSTALLATION INSTRUCTIONS

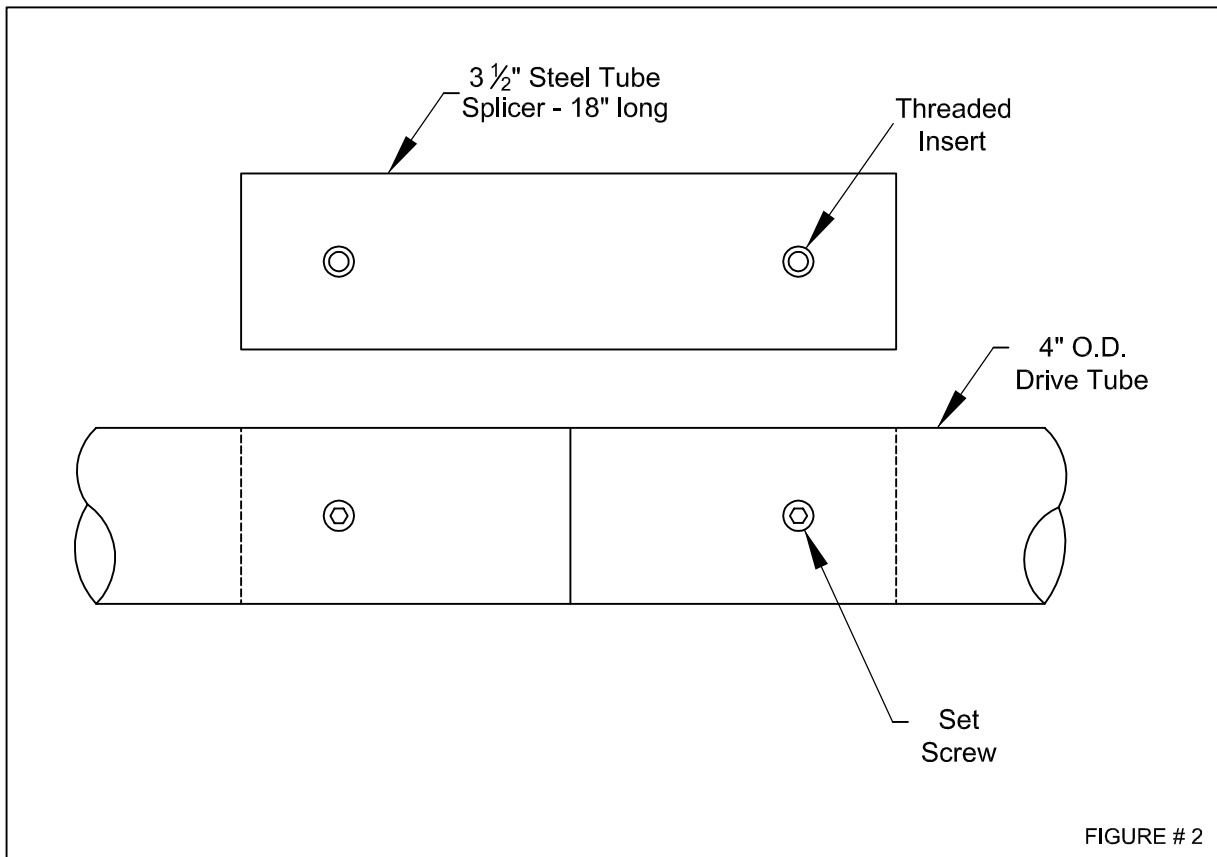
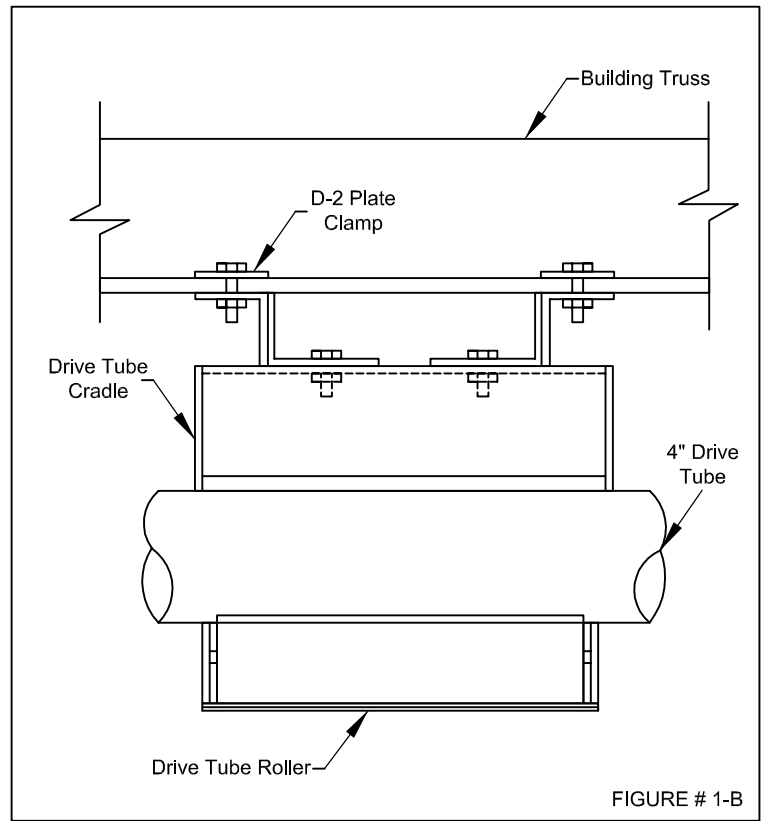
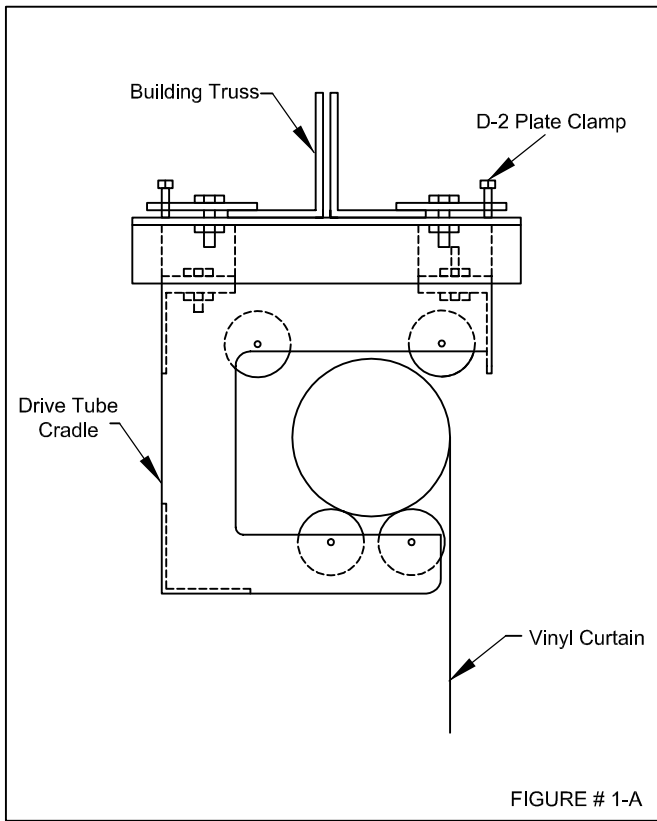
## IP870 GYM DIVIDER CURTAIN

These instructions are intended to be a guide only.  
They do not imply any responsibility of IPI by Bison for improper installation or faulty workmanship at the jobsite.

1. Identify all parts with packing slip and shop drawings.
2. Install the motor unit at the location shown on the shop drawings.
3. Install the drive tube support cradles at the locations shown on the shop drawings (see Figure 1-A & 1-B).
4. Remove the retainer roller brackets to allow the drive pipe to be inserted into the support cradles.
5. Assemble the drive tube sections with the 3 ½" splice tubes and the enclosed screws, to create a continuous run of drive tube (see Figure 2). Also install one splice tube on the motor end, for attachment to the motor coupling.
6. Strike a chalk line the entire length of the drive tube to guide in the attachment of the vinyl curtain.
7. The curtain is to be held to the drive tube with masking or duct tape. Make sure the curtain is flat, square and centered on the drive tube with a 3" over hang at each end.
8. Beginning at the motor end, attach the 72" long aluminum retainer strips to the drive pipe (through the curtain vinyl) using the enclosed 10-24 Self-drilling Tek screws. The retainer strips shall be attached end-to-end across the entire length of the drive tube, trimming the final strip to length.
9. Insert the 1.660" batten pipe into the bottom hem one piece at a time, attaching sections with splices as required (see Figure 3).
10. Close each end of the bottom pocket with ¼ - 20 x 1" bolts, washers and lock-nuts (see Figure 4).
11. Roll the curtain onto the 4" tube making sure to keep the fabric tight and even across the tube.
12. Raise the curtain and drive tube to be inserted into support cradles. Installer is responsible for any equipment needed to lift curtain into position (see Figure 5).
13. **Important Notice:** Once drive tube is inserted into support cradles, reinstall the retainer roller brackets to keep the tubing in place and avoid catastrophic failure.
14. Attach the U-joint motor shaft and the coupler to the drive tube splice, completing the drive tube connection.
15. Lower the curtain and set the limit switch for down travel of the curtain. Raise the curtain to set the up travel of the curtain (see attached instructions).

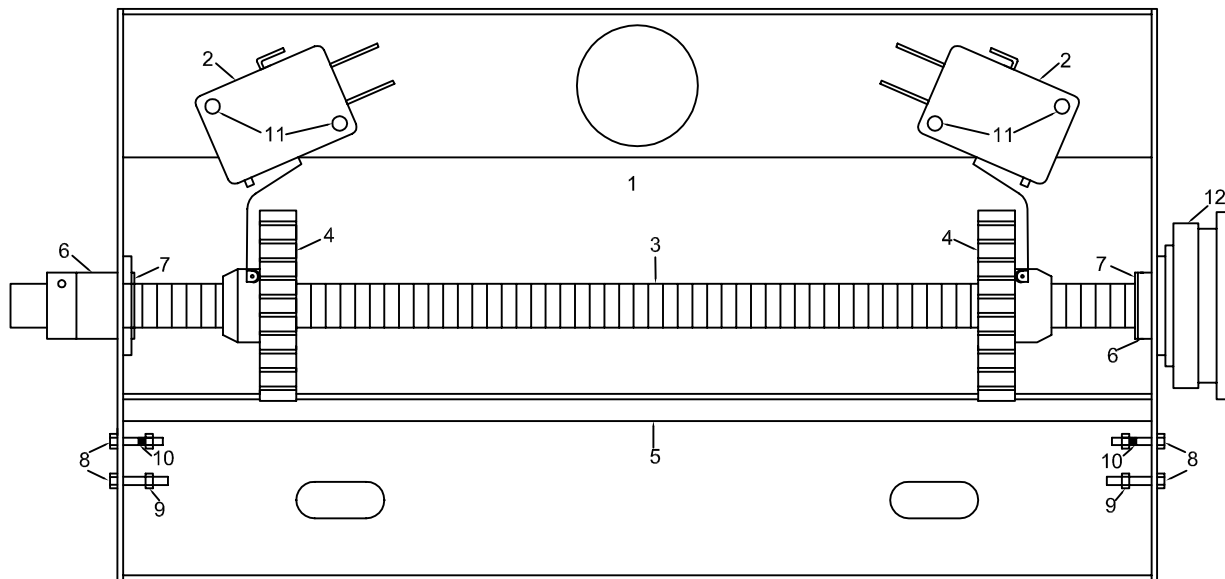


800-637-7968



# ROTARY LIMIT SWITCH CONTROL

ITEM NO.	PART NO.	DESCRIPTION	NO. REQ'D
1		CONTROL BOX	1
2	V3L-11-1DB	LIMIT SWITCHES	2
3		BRASS DRIVE ROD	1
4	MD-030-202	SPUR GEARS	2
5		GEAR RETAINER BAR	1
6		BRONZE BUSHINGS	2
7	FB-58	$\frac{5}{16}$ " I.D. X $\frac{1}{2}$ " O.D. X $\frac{1}{16}$ " WASHER	2
8		4-40 X $\frac{1}{2}$ " SOCKET HEAD M.S.	4
9		4-40 HEX NUT WITH NYLON INSERT	4
10	T-025-180-140-L & R	TORSION SPRINGS	1 OF EA.
11		4-40 X $\frac{5}{8}$ " SOCKET HEAD M.S.	4
12		SPROCKET - IPDC975 or COUPLER - IPBA975	1



## INSTRUCTIONS

Upper and lower limits are set by locating the traveling spur gears on the brass drive rod (item no. 3). The limit switch with the red connecting wire is normally set for the raised position of the curtain. Pink wires are for the lower position.

To set, push the gear retainer bar (item no. 5) back to release the traveling spur gears. Set the gears (item no. 4) towards the center to allow sufficient travel. With the curtain in the raised position, set the upper spur gear (red wire leads) to contact and close the limit switch. Release the retainer bar to lock the spur gears and lower the curtain. Repeat procedure for setting the lower spur gear (pink wire leads).

After setting both positions make sure the gear retainer bar is fully locking the traveling spur gears. Raise and lower the curtain through a complete cycle to check proper settings.

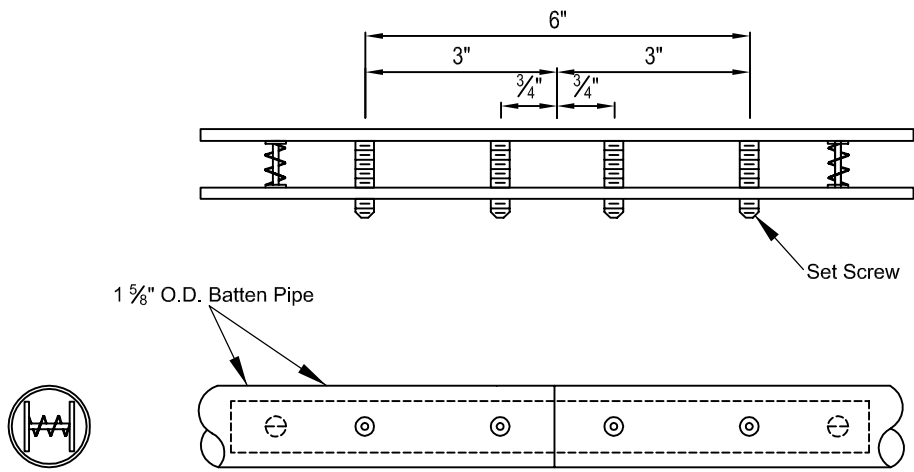


FIGURE # 3

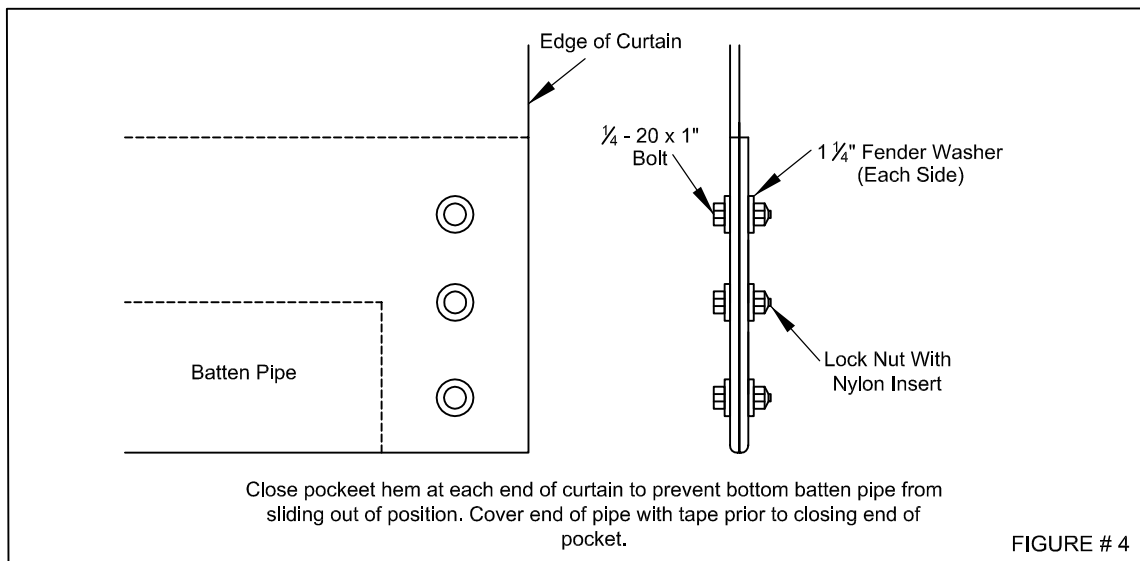


FIGURE # 4

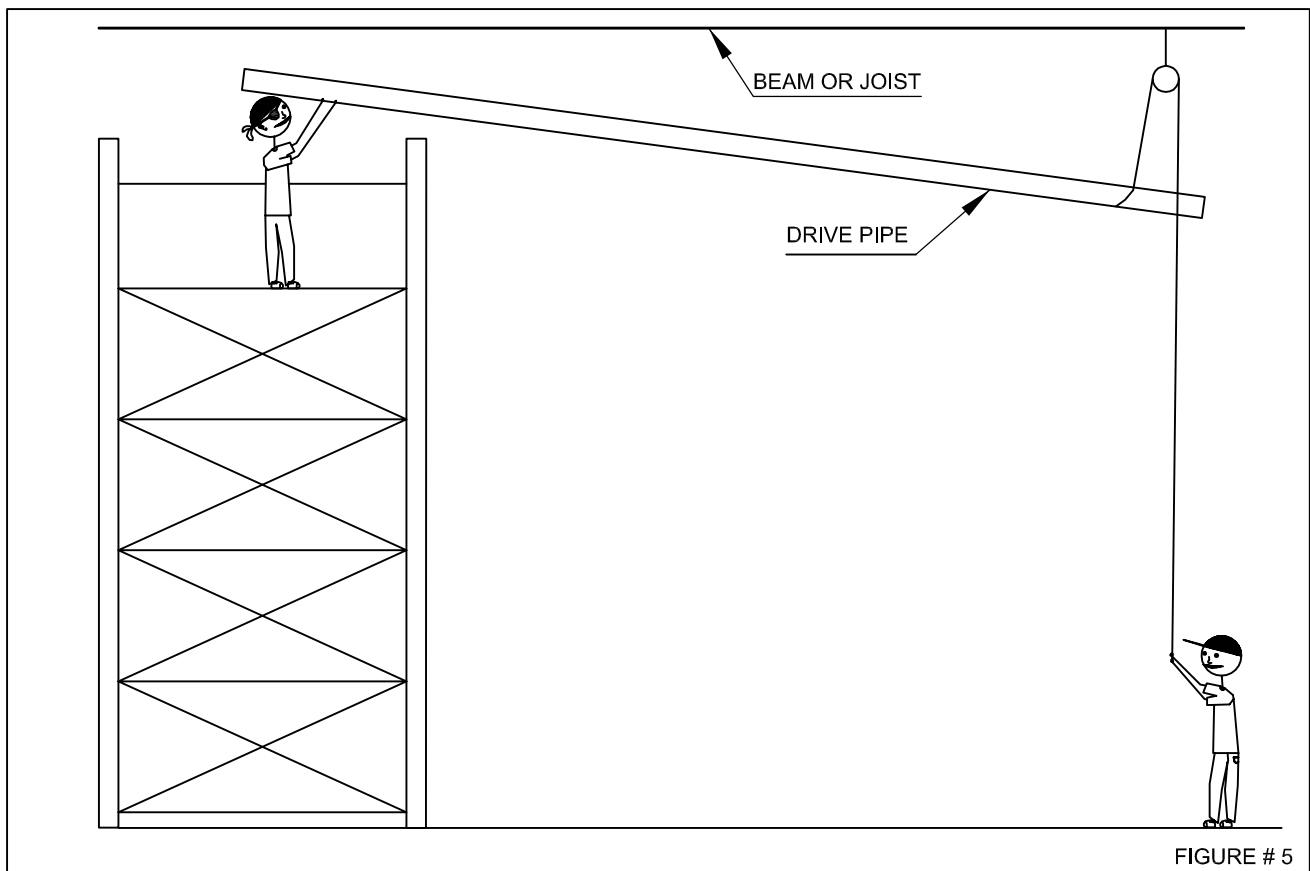


FIGURE # 5