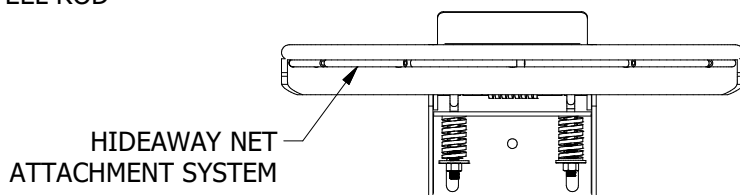
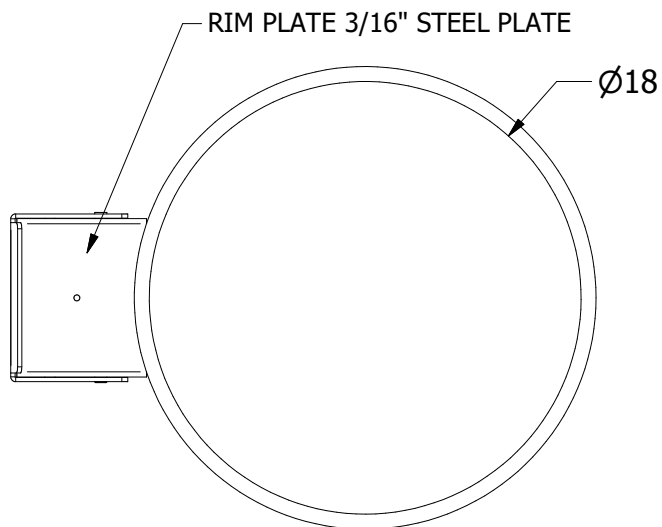


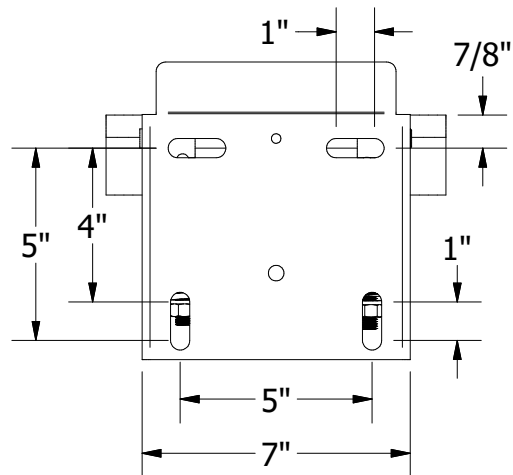
SIDE



FRONT



TOP



REAR

Goal shall be constructed using a 5/8" diameter AISI 1018 cold drawn carbon steel ring. Tubular segments shall be spaced and welded a full 360° around the lower surface of the 5/8" ring to allow the goal net (included) to be securely attached without fasteners by means of a plastic coated aircraft cable. All back plate components shall be constructed of 3/16" thick steel. The mounting plate shall be punched with hole patterns for mounting to 42" x 72" rectangular, 48" x 72" rectangular and 54" x 39" fan-shaped glass backboards. The rim support brace shall be 1/4" x 1 1/2" steel and provide continuous support for 180° of the circumference of the 5/8" ring. The lower edge of the brace shall have a safety radius to eliminate all sharp edges and reduce injury. The breakaway mechanism shall be of the positive lock design, factory preset at the NCAA, FIBA and National High School Federation prescribed pressure release setting. An automatic return shall be provided by means of two return springs which shall also cushion the breakaway action when the pressure release setting has been exceeded. Two hardened steel balls shall be contained in a tubular assembly with each being forced outward with equal pressure by a single spring. The balls shall nest on each side of the rim/back plate assembly in a hardened steel detent. Said ball/detent mechanism shall provide proper breakaway pressure. All pinch points shall be eliminated for player safety. Goal shall carry a 5-year limited warranty. Goal shall be manufactured in the USA and meet all NCAA and National High School Federation standards. Installation to be completed in accordance with manufacturer's instructions. Do not scale drawings. Weighs approximately 25#.



PRODUCT SPECIFICATION

BA35E ELITE COMPETITION BREAKWAY GOAL

REVISED 8/1/19