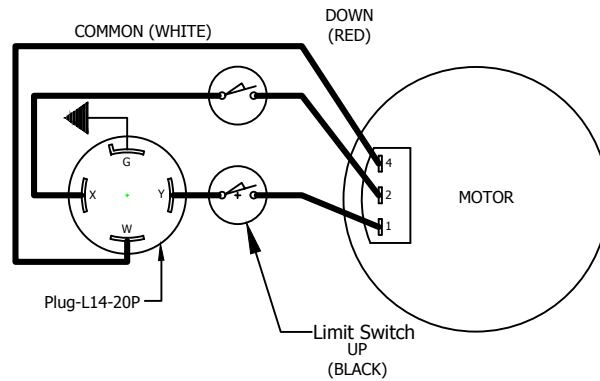


BA973LR Hoist Wiring Schematic With Pigtail.



Product Specifications:

Lightweight unit is only 68 pounds/30.84 kilograms powerful, instantly reversing 3/4 HP motor (UL listed) is governed to stall at 14 amps. Develops 1250 pounds/566 kilograms of vertical line pull at a speed of 9 feet/2.7 meters per minute. A large grooved drum with a 4½ inches/1.42 centimeters ensures long cable life and proper coiling. Hardened steel worm gear is captured to take on radial and thrust loads. Our winch is specified to continuously run at the maximum rated load of 1250 lbs/ 566 kilograms for the motors rated duty cycle of 20 minutes without sustaining any gear damage. Positive locking in the double reduction worm gear drive that provides 200:1 reduction rate for a strong hold under load. Sealed gear case with precision ball bearings and a premium seal for a lifetime of maintenance-free operation. Low-profile design can be mounted in any position for flexibility. At the core of the winch are high-strength metal gears. Our tests show that metal gears consistently outperform other materials under strenuous conditions, especially plastic. Basic cable care ensures a long, safe life. That's why we machine precise grooves in our drum and include a tension roller to ensure correct cable tracking, even in slack conditions. Newly designed limit switch make setting the limits a breeze for installers. Once set properly, the limit switch will not lose its critical settings due to vibration or environmental conditions. Optional remote control with LED display can control up to 99 individual stations within your gymnasium with ease and convenience. The optional single or multiple key-switches instantly reverses the QR4s' motor, unlike standard motors that continue in the same direction causing possible damage



PRODUCT SPECIFICATION

BA973LR: 3/4 HP RETRACTABLE BASKETBALL WINCH

REVISED 5/15/18