

NOTES:

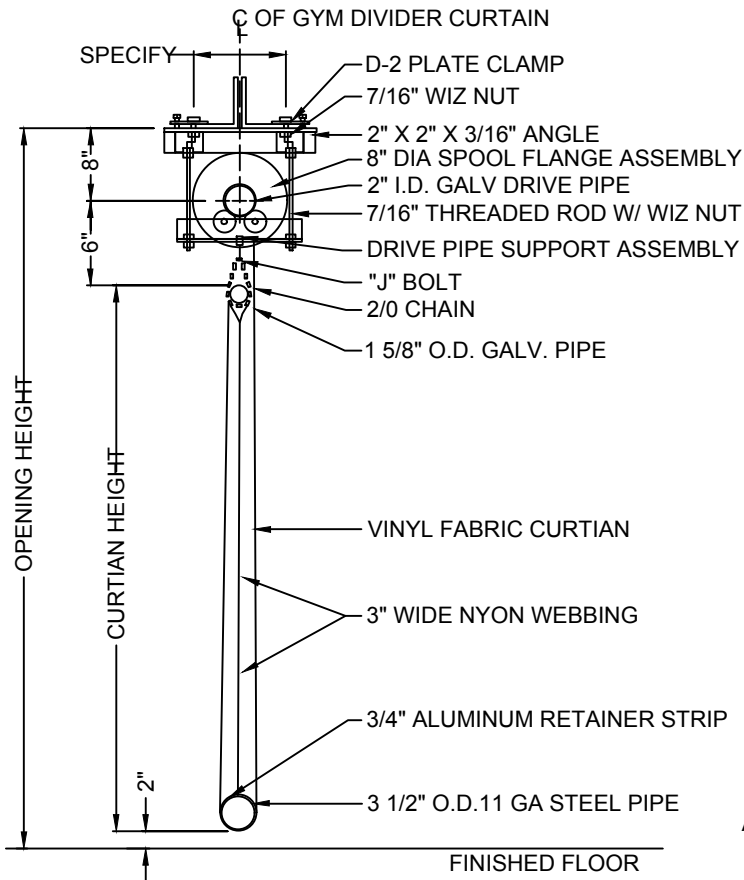
1. INSTALLATION TO BE COMPLETED IN ACCORDANCE WITH MANUFACTURER'S SPECIFICATIONS.
2. DO NOT SCALE DRAWING.



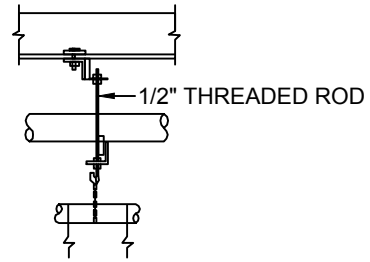
PRODUCT SPECIFICATION

IP880: ROLL UP GYM DIVIDER CURTAIN, ELEVATION AND LAYOUT (1 OF 2)

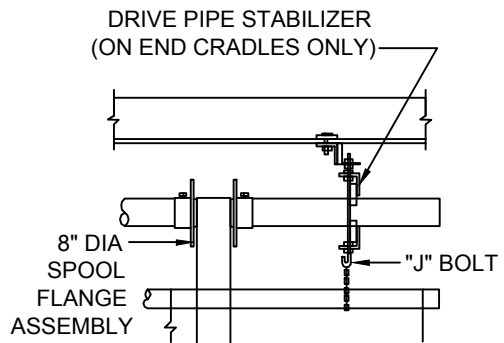
REVISED 8/1/17



SECTION VIEW A-A



DETAIL



DETAIL

NOTES:

1. INSTALLATION TO BE COMPLETED IN ACCORDANCE WITH MANUFACTURER'S SPECIFICATIONS.
2. DO NOT SCALE DRAWING.



PRODUCT SPECIFICATION

IP880: ROLL UP GYM DIVIDER CURTAIN, SECTION AND DETAILS (2 OF 2)

REVISED 8/1/17