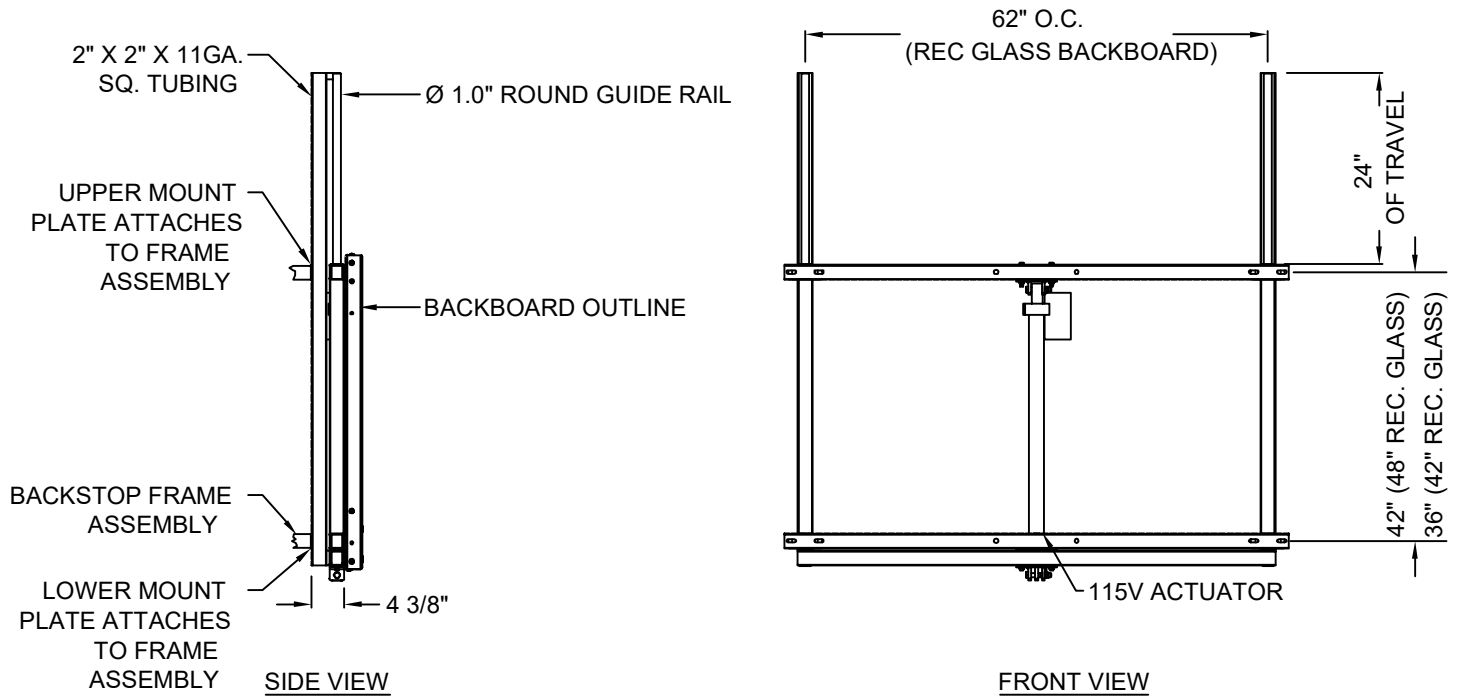
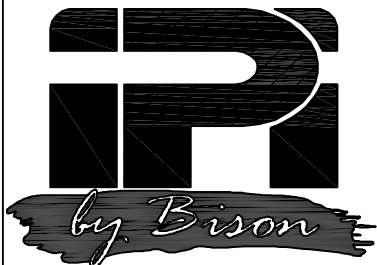


NOTES:

1. INSTALLATION TO BE COMPLETED IN ACCORDANCE WITH MANUFACTURER'S SPECIFICATION
2. DO NOT SCALE DRAWINGS
3. SELECT BA980RSE FOR TYPICAL 42" TALL RECTANGULAR BACKBOARD WITH 36" X 62" MOUNTING  
SELECT BA980RTE FOR TYPICAL 48" TALL RECTANGULAR BACKBOARD WITH 42" X 62" MOUNTING



Welded and preassembled structure shall mount directly between the ceiling or wall suspended basketball structure and the backboard to allow rim height adjustment from 8' to official 10' height. Height adjustment shall be by means of a 115 volt AC, 660# rated load, 9 inch per minute, 17% duty cycle, electric linear activator with built in limit switch and 24" travel. Activator shall be operated by key switch or other control options (order separately). The welded structure shall ride up and down on two 1" diameter parallel chrome plated steel rods near the outer edges of the assembly. Rods shall pass through bronze self lubricating bushings that shall serve to maximize smooth operation and stability. Installation of manual height adjuster shall move the face of the backboard 4.25" closer to the free-throw line. All unplated steel parts shall be powder coated silver. Height adjusters shall carry a two-year limited warranty, and weigh 176# (BA980RSE), and 189# (BA980RTE).



**PRODUCT SPECIFICATION**

BA980RSE/BA980RTE ELECTRIC GOAL HEIGHT ADJUSTER

REVISED 4/3/23 L.M.